

Respect for  
**NATURE  
FUTURE  
HUMAN**

**Valves,**

- Heating
- Underfloor Heating
- Naturalgas
- Plumbing
- Fire Fighting
- Substructure



# 1 Heating



E-Trv	6
Thermostatic Radiator Valves	7
Thermostatic Radiator Valves, Horizontal Axis Type	9
Thermostatic Radiator Valves, Reversible Type	10
Thermostatic Radiator Valves, Internal Flow Type	11
Thermostatic Radiator Valves, H-Type	12
Thermostatic Radiator ValvesV, Compact Type	13
Insert Ventils	14
Thermostatic Heads	15
Radiator Valves	16
Radiator Check Valves	24
H-Valves	28
Thermostatic Radiator Valve Sets	30
Radiator Valve Sets	33
Unions	34
Automatic Air Purgers	36
Safety Valves	38

# 2 Underfloor Heating



Manifolds	40
Unions	41
Actuator	41
2 Way Valves	42
Room Thermostats	43
Main Control Unit	44
Console	44
Air/Water Discharge Sets	44
Ball Valves	45
Central Distribution	46

# 3 Naturalgas



Ball Valves	48
Elbows	49
Connection Unions	54
End Caps	55

# 4 Plumbing



Ball Valves For Potable Water	56
Industrial Type Ball Valves	57
Three Way Ball Valves	59
Mini Ball Valves	60
Gate Valves	62
Stop Valves	62
Filter	64
Check Valves	64
Floater	65
Water Pressure Reducing Valves	66
Angle Ball Valves	68
Multi-Turn Angle Valves	71
Bibcock Valves	72
Drain Valves	72

# 5 Fire Fighting



Fire Valves	73
Ball Valves	73

# 6 Substructure



Connection Sets	74
Connection Ball Valves	75
Connection Unions	76

## E-TRV HEAD + GATE WAY + 1/2" VALVE BODY

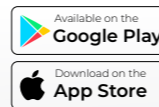
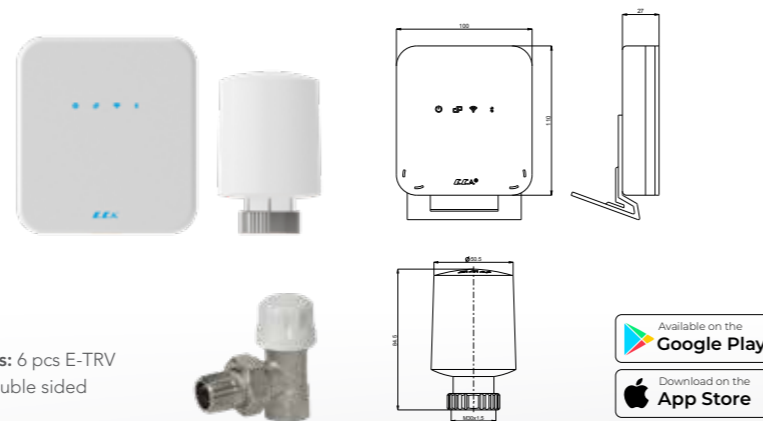
Starter Pack

Code	D	Inbox Qty
602120966	1/2" F Angle	2
602120969	1/2" F Straight	2



**Body**  
M30x1,5 - 1/2" F  
**Electronic Thermostatic Radiator Valves**  
**Supply Voltage:** 2 x AA Battery (included)  
**Connection:** M30x1,5

**Gate Way**  
**Supply Voltage:** 100-240VAC  
**Number of mappable Devices:** 6 pcs E-TRV  
**Box contents:** 230V Cable, Double sided tape and - screw bag



## E-TRV HEAD + GATE WAY + E-TRV HEAD + CONNECTING ADAPTER DEVICE (RA/RAV/RAVL)

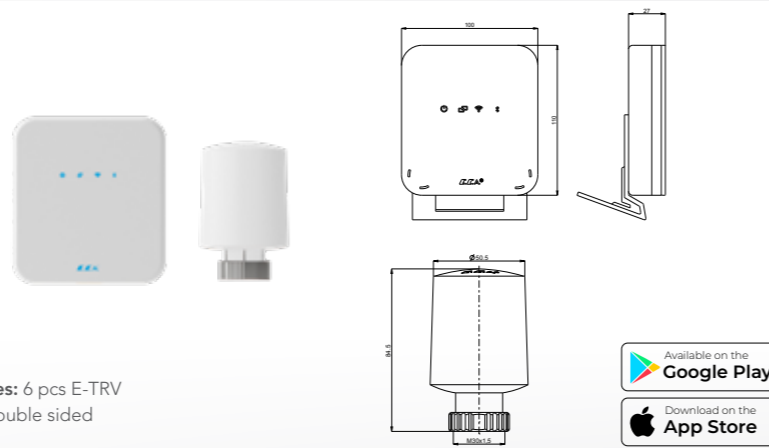
Starter Pack

Code	D	Inbox Qty
602120967	M30x1,5	2



**Connecting Device**  
3 Adaptors (RA/RAV/RAVL)  
**Electronic Thermostatic Radiator Valves**  
**Supply Voltage:** 2 x AA Battery (included)  
**Connection:** M30x1,5

**Gate Way**  
**Supply Voltage:** 100-240VAC  
**Number of mappable Devices:** 6 pcs E-TRV  
**Box contents:** 230V Cable, Double sided tape and - screw bag



## E-TRV HEAD + 1/2" VALVE BODY

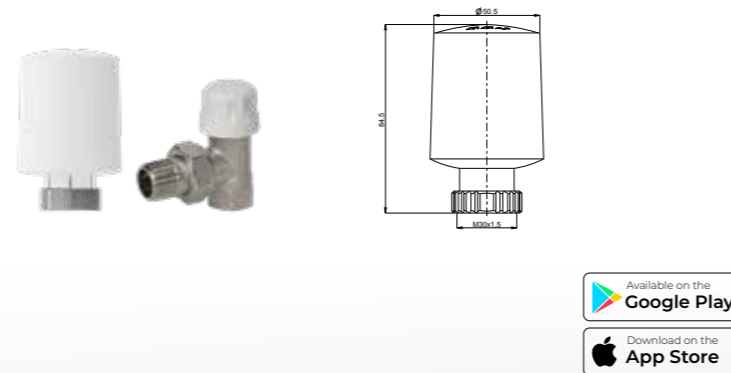
Starter Pack

Code	D	Inbox Qty
602120963	1/2" F Angle	6
602120964	1/2" F Straight	6



**Body**  
M30x1,5 - 1/2" F  
**Electronic Thermostatic Radiator Valves**  
**Supply Voltage:** 2 x AA Battery (included)  
**Connection:** M30x1,5

**Gate Way**  
**Supply Voltage:** 100-240VAC  
**Number of mappable Devices:** 6 pcs E-TRV  
**Box contents:** 230V Cable, Double sided tape and - screw bag



## E-TRV HEAD + CONNECTING ADAPTER DEVICE (RA/RAV/RAVL)

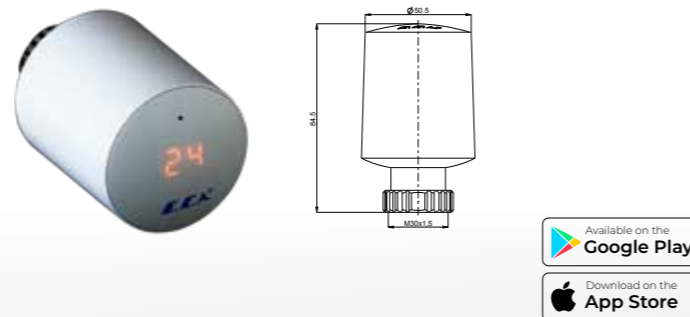
Starter Pack

Code	D	Inbox Qty
602499423	Connecting Device	6



**Connecting Device**  
3 Adaptors (RA/RAV/RAVL)  
**Electronic Thermostatic Radiator Valves**  
**Supply Voltage:** 2 x AA Battery (included)  
**Connection:** M30x1,5

**Gate Way**  
**Supply Voltage:** 100-240VAC  
**Number of mappable Devices:** 6 pcs E-TRV  
**Box contents:** 230V Cable, Double sided tape and - screw bag

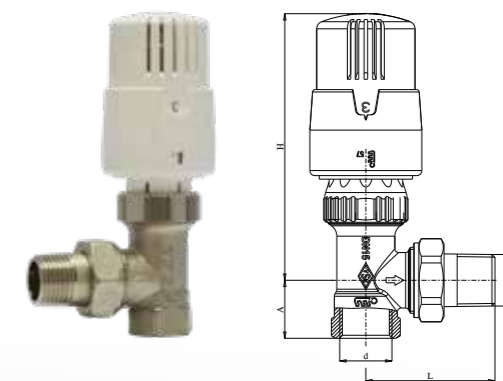


## THERMOSTATIC RADIATOR VALVE, ANGLE

TRV4

Code	D	L	A	H	Inbox Qty
602120755	1/2"	51,2	23	105,5	22

EN 215, TS EN 215 (Up to 30% Energy Saving)

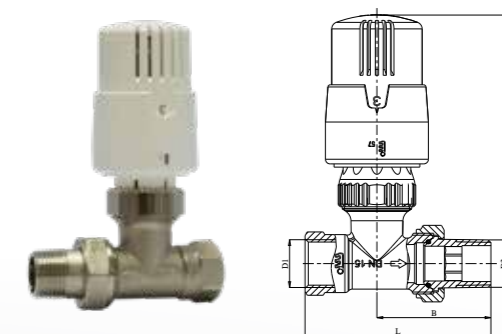


## THERMOSTATIC RADIATOR VALVE, STRAIGHT

TRV4

Code	D	L	B	H	Inbox Qty
602120756	1/2"	80	49	103	22

EN 215, TS EN 215 (Up to 30% Energy Saving)

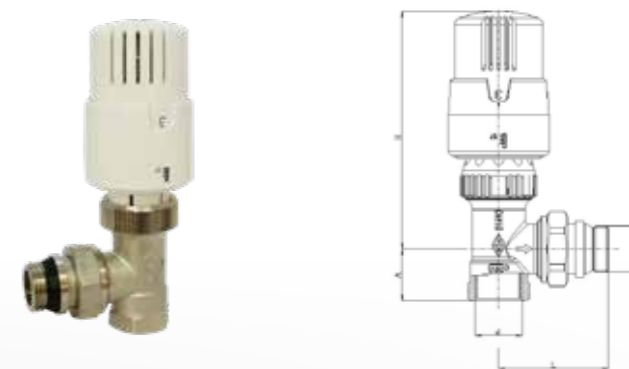


## THERMOSTATIC RADIATOR VALVE WITH GASKET, ANGLE

TRV4

Code	D	L	B	H	Inbox Qty
602120938	1/2"	53	23	100,2	22

EN 215, TS EN 215 (Up to 30% Energy Saving)

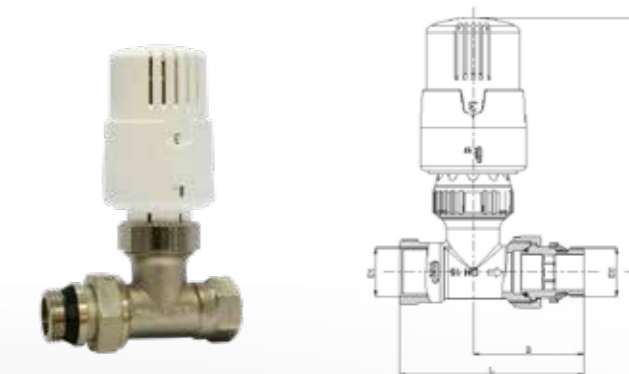


## THERMOSTATIC RADIATOR VALVE WITH GASKET, STRAIGHT

TRV4

Code	D	L	B	H	Inbox Qty
802120044	1/2"	53	23	100,2	22

EN 215, TS EN 215 (Up to 30% Energy Saving)

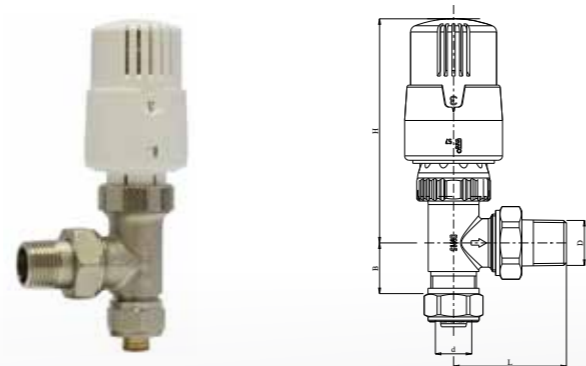


## THERMOSTATIC RADIATOR VALVE, ANGLE

TRV4

Code	D	d	L	B	H	Inbox Qty
602120780	1/2"	Ø16	51,2	23	106	22

EN 215, TS EN 215 (Up to 30% Energy Saving)

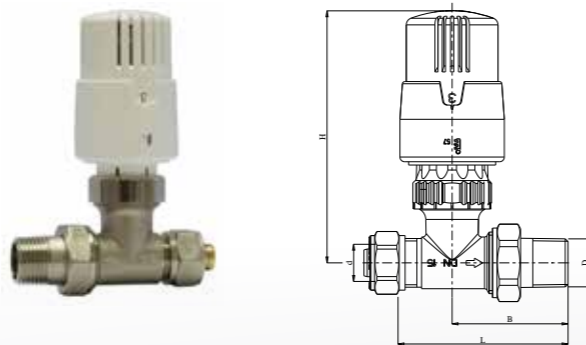


## THERMOSTATIC RADIATOR VALVE, STRAIGHT

TRV4

Code	D	d	L	B	H	Inbox Qty
602120779	1/2"	Ø16	72,3	49,3	107	22

EN 215, TS EN 215 (Up to 30% Energy Saving)

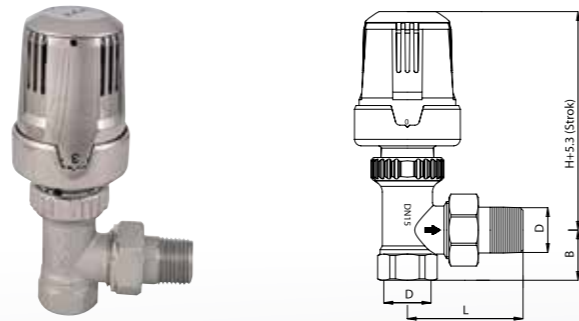


## THERMOSTATIC RADIATOR VALVE, ANGLE

Chrome - TRV

Code	D	L	B	H	Inbox Qty
602120162	1/2"	53	23	100.2	7
602120181	3/4"	63	26	100.2	7

EN 215, TS EN 215 (Up to 30% Energy Saving)

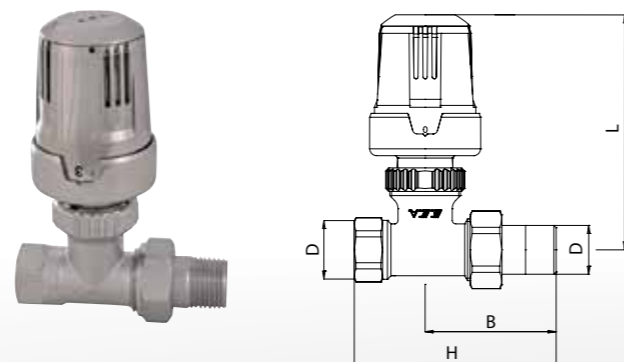


## THERMOSTATIC RADIATOR VALVE, STRAIGHT

Chrome - TRV

Code	D	L	B	H	Inbox Qty
602120164	1/2"	82	50	50	7
602120183	3/4"	98	65	65	7

EN 215, TS EN 215 (Up to 30% Energy Saving)

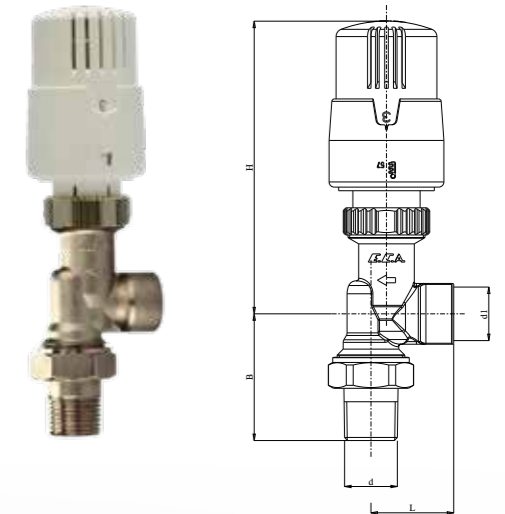


## THERMOSTATIC RADIATOR VALVE, HORIZONTAL AXIS

TRV4

Code	d	d1	L	B	H	Inbox Qty
602120815	1/2"	1/2"	32	49	114	22

EN 215, TS EN 215 (Up to 30% Energy Saving)

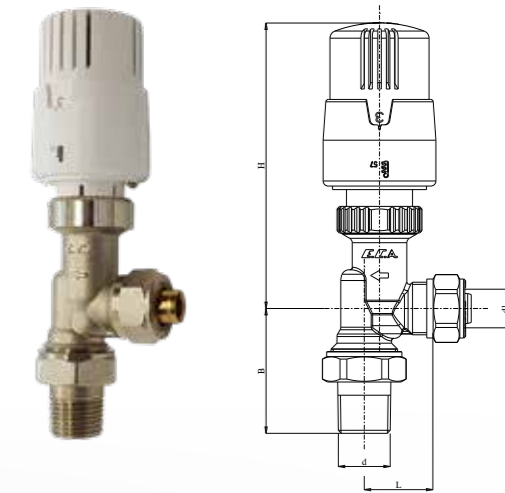


## THERMOSTATIC RADIATOR VALVE, HORIZONTAL AXIS

TRV4

Code	d	d1	L	B	H	Inbox Qty
602120879	1/2"	Ø16	27	49	114	22

EN 215, TS EN 215 (Up to 30% Energy Saving)

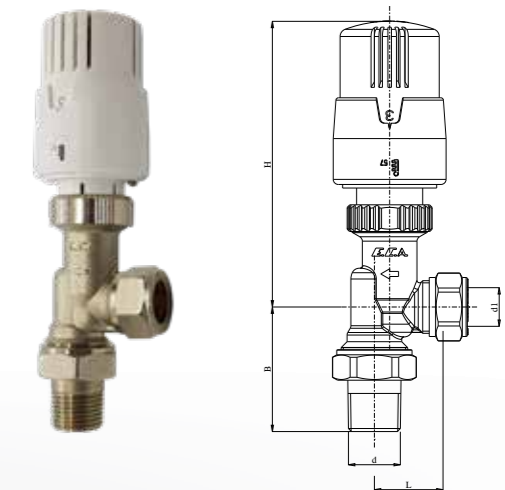


## THERMOSTATIC RADIATOR VALVE WITH GASKET, HORIZONTAL AXIS

TRV4

Code	d	d1	L	B	H	Inbox Qty
602120880	1/2"	Ø15	27	49	114	22

EN 215, TS EN 215 (Up to 30% Energy Saving)



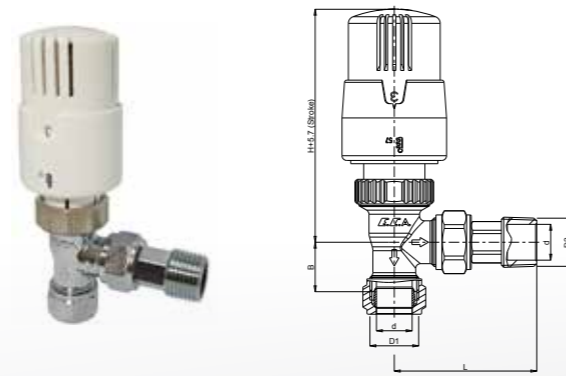
## REVERSIBLE TYPE THERMOSTATIC RADIATOR VALVE, ANGLE

TRV4

Code	D1	D2	d	L	B	H	Inbox Qty
602120759	1/2"	1/2"	Ø15	60,5	21	94,5	22

EN 215, TS EN 215 (Up to 30% Energy Saving)

- Inlet and outlet can be reversed according to the usage

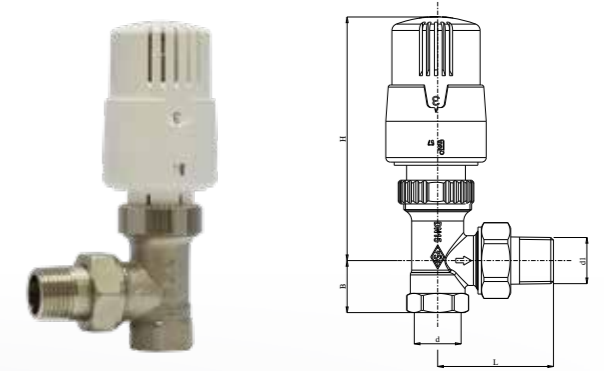


## THERMOSTATIC RADIATOR VALVE WITH INTERNAL FLOW CONTROL DEVICE, ANGLE

TRV4

Code	d	d1	L	B	H	Inbox Qty
802120006	1/2"	1/2"	51,2	23	108	7

EN 215, TS EN 215 (Up to 30% Energy Saving)



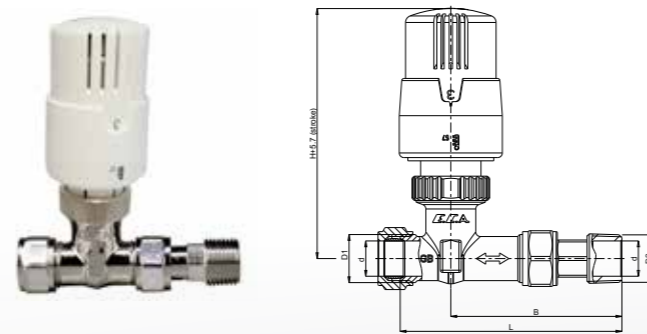
## REVERSIBLE TYPE THERMOSTATIC RADIATOR VALVE, STRAIGHT

TRV4

Code	D1	D2	d	L	B	H	Inbox Qty
602120760	1/2"	1/2"	Ø15	95,5	74	103,5	22

EN 215, TS EN 215 (Up to 30% Energy Saving)

- Inlet and outlet can be reversed according to the usage

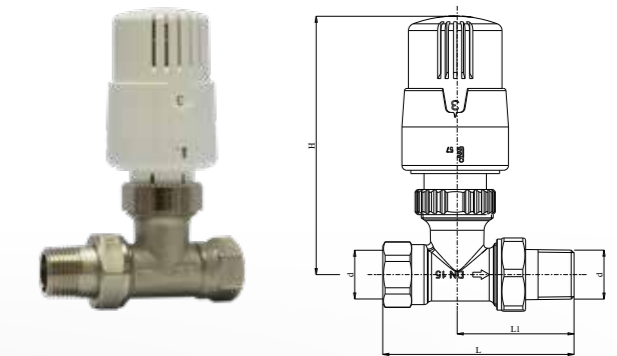


## THERMOSTATIC RADIATOR VALVE WITH INTERNAL FLOW CONTROL DEVICE, STRAIGHT

TRV4

Code	d	L	L1	H	Inbox Qty
802120007	1/2"	79,7	48,7	108	7

EN 215, TS EN 215 (Up to 30% Energy Saving)



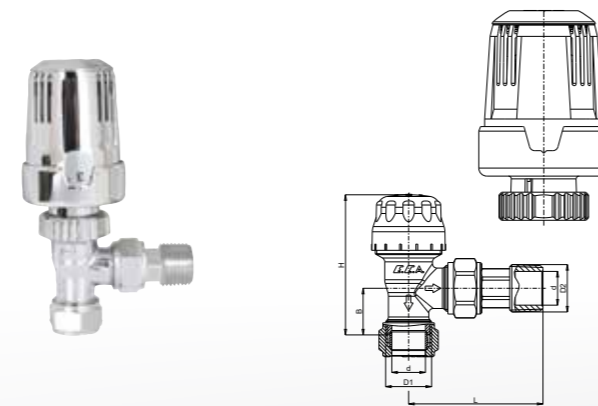
## REVERSIBLE TYPE THERMOSTATIC RADIATOR VALVE, ANGLE

Chrome - TRV

Code	D1	D2	d	L	B	H	Inbox Qty
602120166	1/2"	1/2"	Ø15	60,5	21	63	7

EN 215, TS EN 215 (Up to 30% Energy Saving)

- Inlet and outlet can be reversed according to the usage

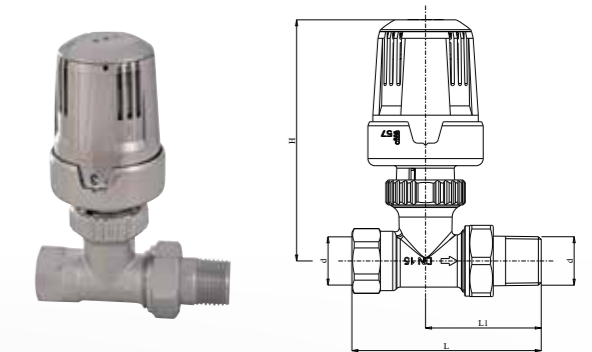


## THERMOSTATIC RADIATOR VALVE WITH INTERNAL FLOW CONTROL DEVICE, STRAIGHT

Chrome - TRV

Code	d	L	B	H	Inbox Qty
602120257	1/2"	79,7	48,7	102	7

EN 215, TS EN 215 (Up to 30% Energy Saving)

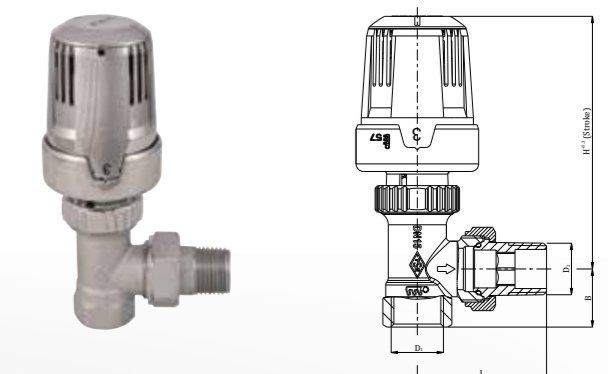


## THERMOSTATIC RADIATOR VALVE WITH INTERNAL FLOW CONTROL DEVICE, ANGLE

Chrome - TRV

Code	D1	D2	L	B	H	Inbox Qty
602120259	1/2"	1/2"	53	23	100	7

EN 215, TS EN 215 (Up to 30% Energy Saving)



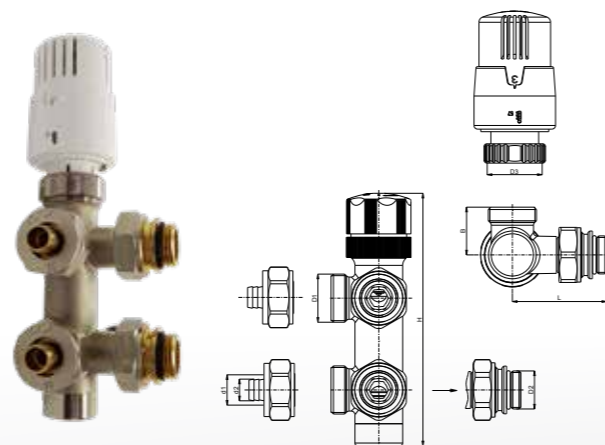
## H-TYPE THERMOSTATIC VALVE, ANGLE

TRV4 Head

Code	D1	D2	D3	d1	d2	L	B	H	Inbox Qty
602120843	3/4"	1/2"	M30x1,5	Ø16	Ø11,8	51	26	137,5	6
802120011	3/4"	1/2"	M30x1,5	Ø16	Ø11,8	51	26	137,5	6
802120065	3/4"	1/2"	M30x1,5	Ø16	Ø11,8	51	26	137,5	6

EN 215, TS EN 215 (Up to 30% Energy Saving)

- Heating Systems, 10 bar, 120°C



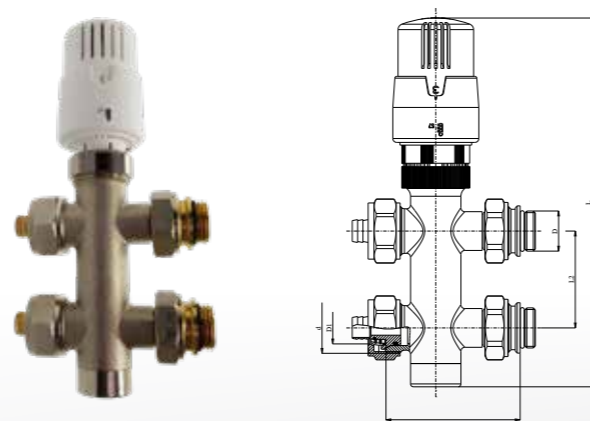
## H-TYPE THERMOSTATIC VALVE, STRAIGHT

TRV4 Head

Code	Head Color	D	D1	d	L	L1	L2	Inbox Qty
602120836	White	1/2"	Ø16	3/4"	192	70	50	6
802120013	Chrome	1/2"	Ø16	3/4"	192	70	50	6
802120064	Black	1/2"	Ø16	3/4"	192	70	50	6

EN 215, TS EN 215 (Up to 30% Energy Saving)

- Heating Systems, 10 bar, 120°C



## DECORATIVE COVER for H-TRV

Code	Color	L	B	H	Inbox Qty
610801227	Chrome	120	100	78	6



## DECORATIVE COVER for H-TRV

Code	Color	L	B	H	Inbox Qty
610801226	White	120	100	78	6



## DECORATIVE COVER for H-TRV

Code	Color	L	B	H	Inbox Qty
610801225	Black	120	100	78	6



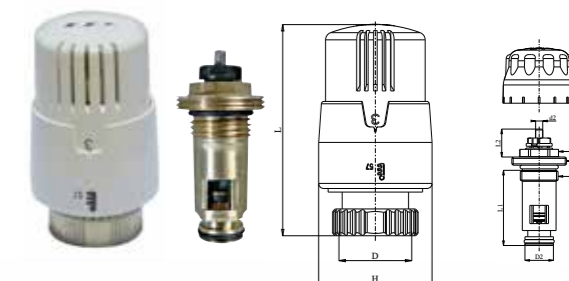
## THERMOSTATIC INSERT VENTIL FOR COMPACT RADIATOR

Code	Product	D	L	d	D1	d1	L1	L2	A	H	Inbox Qty
602120796	Insert Ventil with TRV4 Head	M30x1,5	82,7	Ø15,6	1/2"	Ø4	41,5	15,1	AA19	Ø44,4	21
602120312	Insert Ventil										

EN 215, TS EN 215 (Up to 30% Energy Saving)

- External Gasket L=44 mm
- Internal Flow Control

It is recommended to check conforming with the inlet design of radiator.



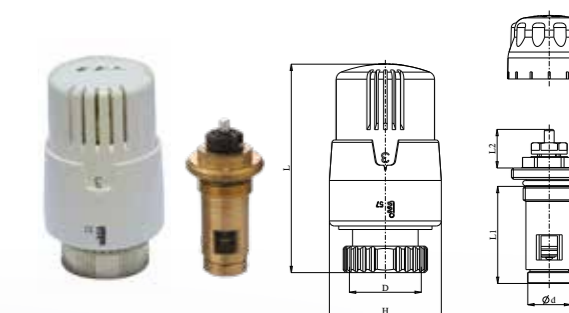
## THERMOSTATIC INSERT VENTIL FOR RADIATOR VALVE

Code	Product	D	L	d	D1	L1	L2	A	H	Inbox Qty
602120813	Insert Ventil with TRV4 Head	30x1,5	82,7	Ø17	1/2"	28,5	15,3	AA19	Ø44,4	21
602120624	Insert Ventil									

EN 215, TS EN 215 (Up to 30% Energy Saving)

- External Gasket L=41,3 mm
- Internal Flow Control

It is recommended to check conforming with the inlet design of radiator.



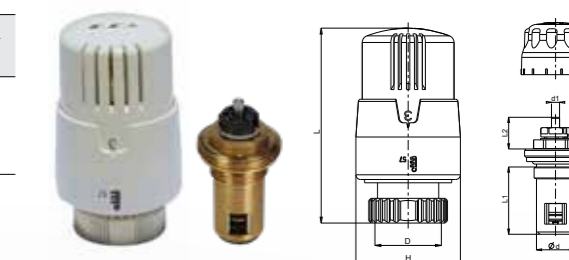
## THERMOSTATIC INSERT VENTIL FOR RADIATOR VALVE

Code	Product	D	L	d	D1	d1	L1	L2	A	H	Inbox Qty
602120814	Insert Ventil with TRV4 Head	30x1,5	82,7	Ø18,4	1/2"	Ø3,9	32,5	15,3	AA19	Ø44,4	21
602120477	Insert Ventil										

EN 215, TS EN 215 (Up to 30% Energy Saving)

- External Gasket L=35 mm
- Internal Flow Control

It is recommended to check conforming with the inlet design of radiator.



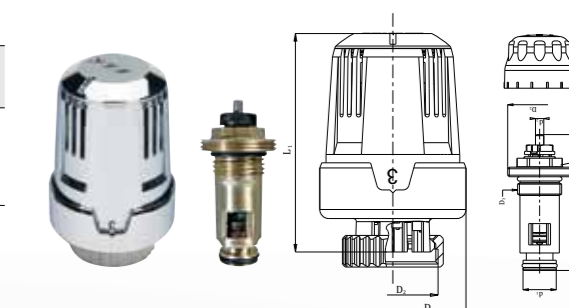
## THERMOSTATIC INSERT VENTIL FOR RADIATOR VALVE

Code	Product	D1	D3	d1	d2	L2	L3	AA	Inbox Qty
602120326	Insert Ventil with Chrome TRV4 Head	30x1,5	1/2"	Ø15,6	Ø4	44	15,1	19	21
602120312	Insert Ventil								

EN 215, TS EN 215 (Up to 30% Energy Saving)

- External Gasket L=44 mm
- Internal Flow Control

It is recommended to check conforming with the inlet design of radiator.

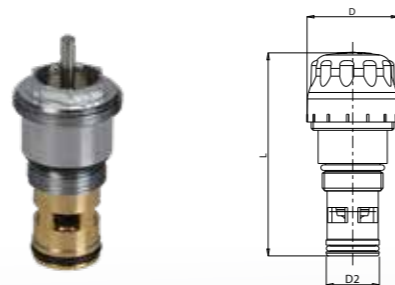


## INSERT VENTIL FOR CUSTOMIZED RADIATORS

Code	L	D	d	L1	L2	D2	d1	d2	d3	Inbox Qty
602120435	73,4	Ø33	1/2"	33,4	15,3	Ø19,2	M30x1,5	Ø3,9	AA 19	90

- External Gasket L=33 mm
- Internal Flow Control
- For aluminum radiator models suitable.

It is recommended to check conforming with the inlet design of radiator.

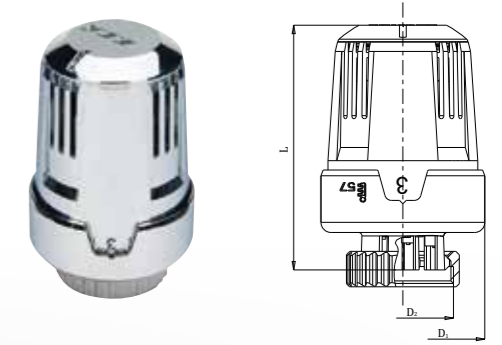


## THERMOSTATIC HEAD

Chrome - TRV

Code	D1	D2	L	Inbox Qty
602120170	Ø48,6	M30x1,5	78	24

EN 215, TS EN 215 (Up to 30% Energy Saving)

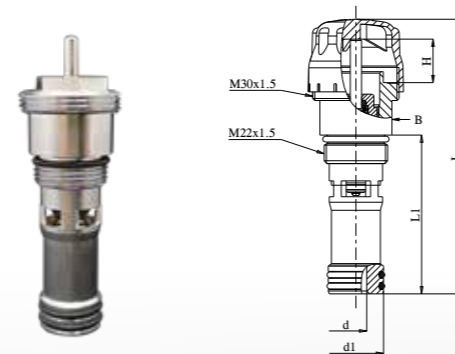


## INSERT VENTIL FOR CUSTOMIZED RADIATORS

Code	d	d1	L	L1	B	H	Inbox Qty
602120736	Ø7,5	Ø19,2	95,5	55	Ø25	Ø15,1	90

- External Gasket L=55 mm
- Internal Flow Control
- For aluminum radiator models suitable.

It is recommended to check conforming with the inlet design of radiator.

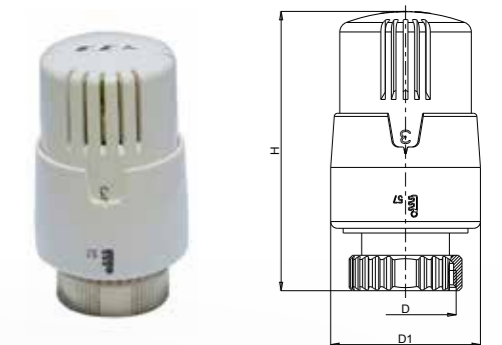


## THERMOSTATIC HEAD

TRV

Code	D	D1	H	Inbox Qty
602120754	M30x1,5	Ø44,4	82,7	24

EN 215, TS EN 215 (Up to 30% Energy Saving)

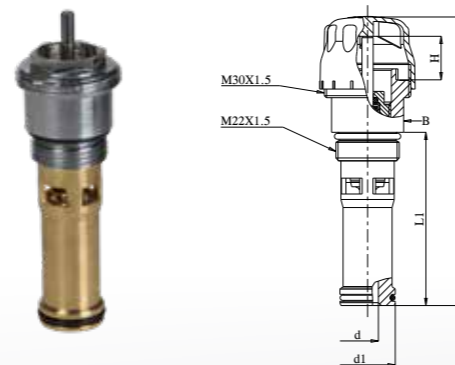


## INSERT VENTIL FOR CUSTOMIZED RADIATORS

Code	d	d1	L	L1	B	H	Inbox Qty
602120478	Ø7,5	Ø19,2	100	60	Ø25	Ø15,1	90

- External Gasket L=60 mm
- Internal Flow Control
- For aluminum radiator models suitable.

It is recommended to check conforming with the inlet design of radiator.



## THERMOSTATIC HEAD

TRV - Black

Code	D	D1	H	Inbox Qty
602499362	M30x1,5	Ø44,4	82,7	24

EN 215, TS EN 215 (Up to 30% Energy Saving)

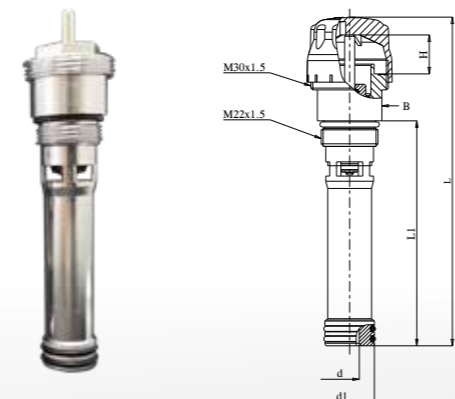


## INSERT VENTIL FOR CUSTOMIZED RADIATORS

Code	d	d1	L	L1	B	H	Inbox Qty
602120737	Ø7,5	Ø19,2	127,5	87	Ø25	Ø15,1	60

- External Gasket L=87 mm
- Internal Flow Control
- For aluminum radiator models suitable.

It is recommended to check conforming with the inlet design of radiator.

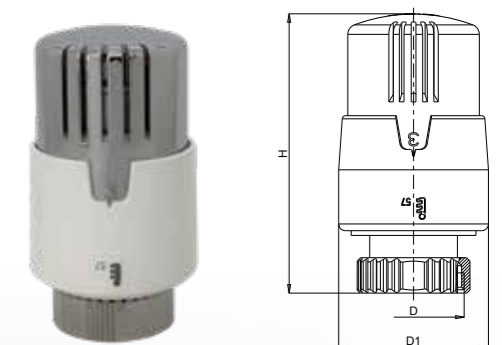


## THERMOSTATIC HEAD

TRV4 - White-Chrome

Code	D	D1	H	Inbox Qty
602499797	M30x1,5	Ø44,4	82,7	24

EN 215, TS EN 215 (Up to 30% Energy Saving)



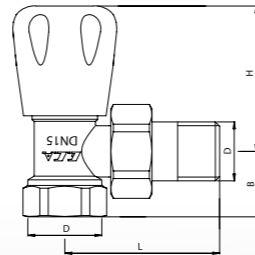


## RADIATOR VALVE, ANGLE

RV2

Code	D	L	B	H	Inbox Qty
102120332	1/2"	54,4	23	51,5	50
102120333	3/4"	61,5	26	51,5	35

- TS 579
- Heating Systems, 10 bar, 120°C

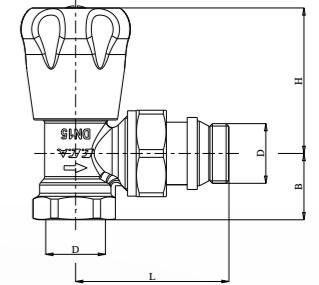


## RADIATOR VALVE WITH GASKET, ANGLE

RV2

Code	D	L	B	H	Inbox Qty
602120552	1/2"	53,2	23	50,5	50

- TS 579
- Heating Systems, 10 bar, 120°C

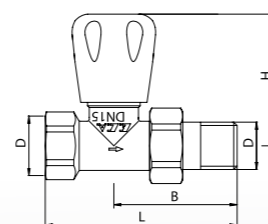


## RADIATOR VALVE, STRAIGHT

RV2

Code	D	L	B	H	Inbox Qty
102120322	1/2"	83,9	53,9	58	50
102120323	3/4"	96,5	60,5	58	35

- TS 579
- Heating Systems, 10 bar, 120°C

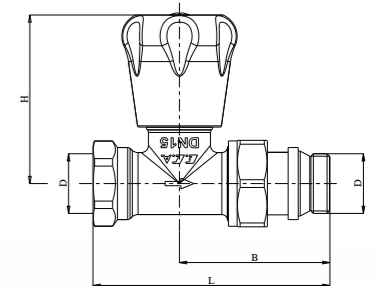


## RADIATOR VALVE WITH GASKET, STRAIGHT

RV2

Code	D	L	B	H	Inbox Qty
602120553	1/2"	82,2	52,2	58,5	50

- TS 579
- Heating Systems, 10 bar, 120°C

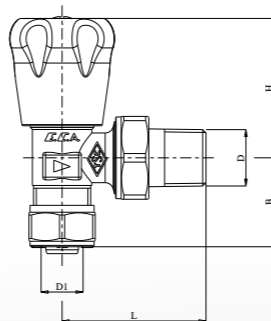


## RADIATOR VALVE, ANGLE

RV2

Code	D	D1	L	B	H	Inbox Qty
602120338	1/2"	Ø16	54	32,2	50,5	50

- Heating Systems, 10 bar, 120°C

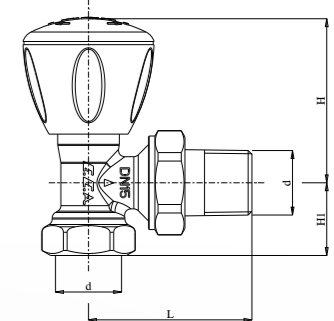


## RADIATOR VALVE, ANGLE

RV3

Code	D	L	H	H1	Inbox Qty
602120641	1/2"	53	52	23	50

- TS 579
- Heating Systems, 10 bar, 120°C

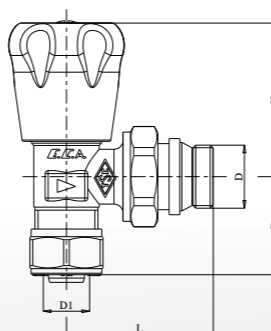


## RADIATOR VALVE WITH GASKET, ANGLE

RV2

Code	D	D1	L	B	H	Inbox Qty
602120974	1/2"	Ø16	48,2	32,2	50,5	50

- Heating Systems, 10 bar, 120°C

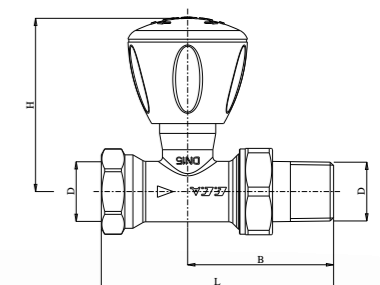


## RADIATOR VALVE, ANGLE

RV3

Code	D	L	B	H	Inbox Qty
602120725	1/2"	81	51	60	50

- TS 579
- Heating Systems, 10 bar, 120°C

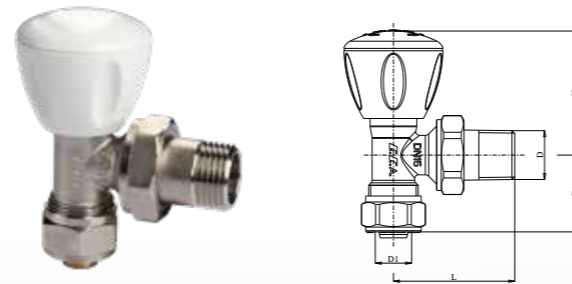


## RADIATOR VALVE, ANGLE

RV3

Code	D	D1	L	B	H	Inbox Qty
602120721	1/2"	Ø16	51	32,2	52	50

- Heating Systems, 10 bar, 120°C

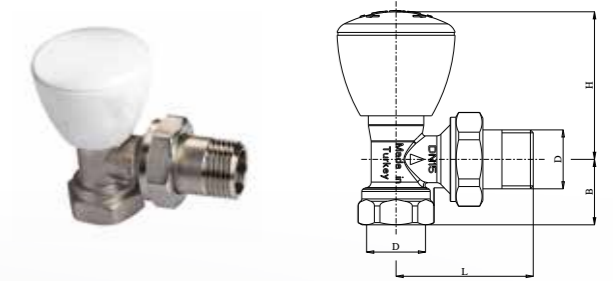


## RADIATOR VALVE, ANGLE

RVK

Code	D	L	B	H	Inbox Qty
602120635	1/2"	53	23	52	50

- Heating Systems, 10 bar, 120°C

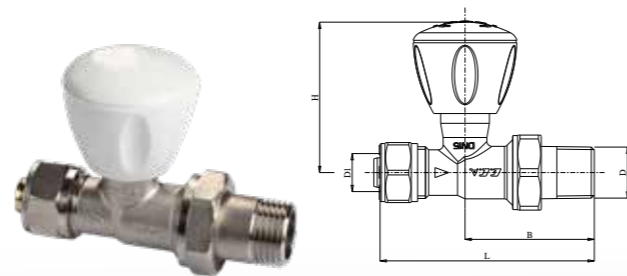


## RADIATOR VALVE, STRAIGHT

RV3

Code	D	D1	L	B	H	Inbox Qty
602120722	1/2"	Ø16	86	51,7	60	50

- Heating Systems, 10 bar, 120°C

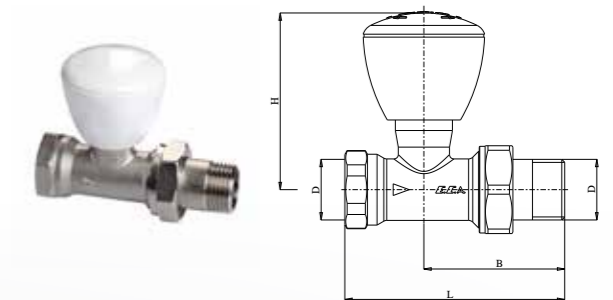


## RADIATOR VALVE, STRAIGHT

RVK

Code	D	L	B	H	Inbox Qty
602120706	1/2"	75	48	60	50

- Heating Systems, 10 bar, 120°C

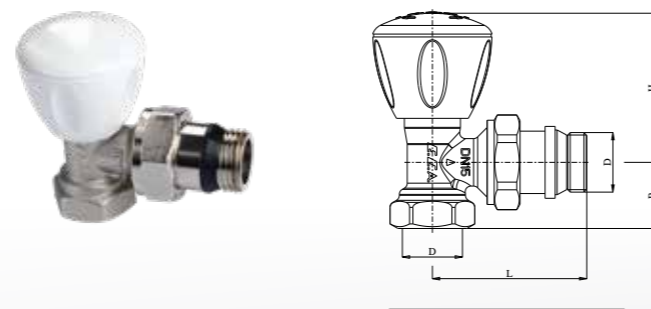


## RADIATOR VALVE WITH GASKET, ANGLE

RV3

Code	D	L	B	H	Inbox Qty
602120723	1/2"	54	23	52	50

- TS 579
- Heating Systems, 10 bar, 120°C

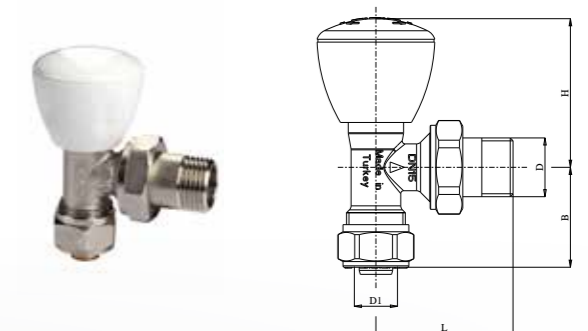


## RADIATOR VALVE, ANGLE

RVK

Code	D	D1	L	B	H	Inbox Qty
602120732	1/2"	Ø16	48,5	35,2	52,5	50

- Heating Systems, 10 bar, 120°C

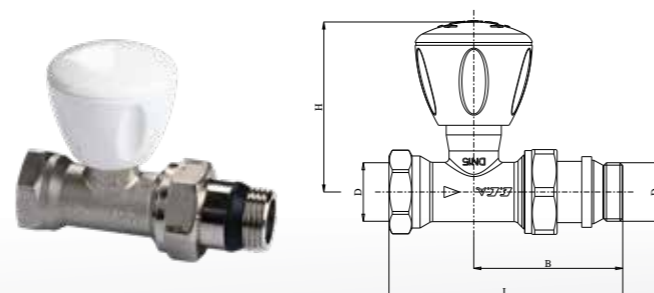


## RADIATOR VALVE WITH GASKET, STRAIGHT

RV3

Code	D	L	B	H	Inbox Qty
602120724	1/2"	82,7	52,7	60	50

- TS 579
- Heating Systems, 10 bar, 120°C

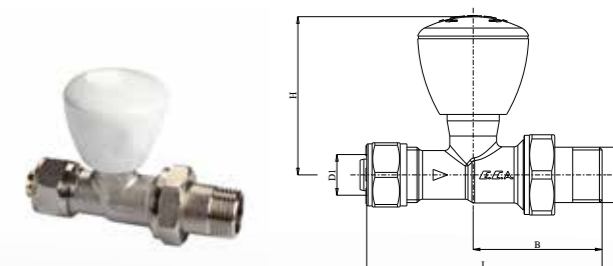


## RADIATOR VALVE, STRAIGHT

RVK

Code	D	D1	L	B	H	Inbox Qty
602120733	1/2"	Ø16	88	48,5	60	50

- Heating Systems, 10 bar, 120°C

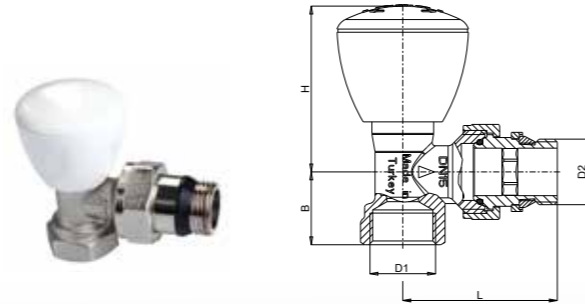


## RADIATOR VALVE WITH GASKET, ANGLE

RVK

Code	D1	D2	L	B	H	Inbox Qty
602120636	1/2"	1/2"	48,7	23	52	50

- Heating Systems, 10 bar, 120°C

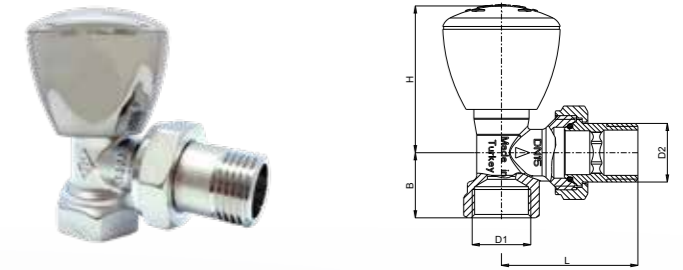


## RADIATOR VALVE, CHROME PLATED, ANGLE

RVK

Code	D1	D2	L	B	H	Inbox Qty
602120888	1/2"	1/2"	48	23	52	50

- Heating Systems, 10 bar, 120°C

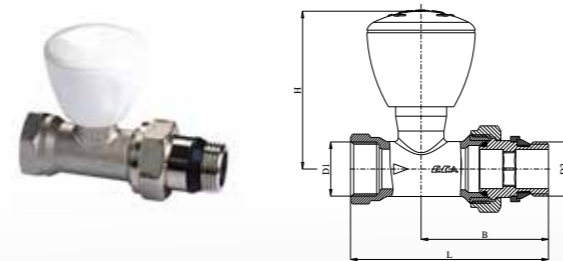


## RADIATOR VALVE WITH GASKET, STRAIGHT

RVK

Code	D1	D2	L	B	H	Inbox Qty
602120637	1/2"	1/2"	75,7	48,7	60,4	50

- Heating Systems, 10 bar, 120°C

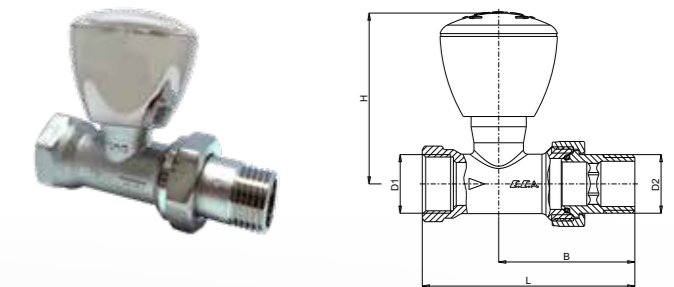


## RADIATOR VALVE, CHROME PLATED, STRAIGHT

RVK

Code	D1	D2	L	B	H	Inbox Qty
602120886	1/2"	1/2"	75	48	60,4	50

- Heating Systems, 10 bar, 120°C

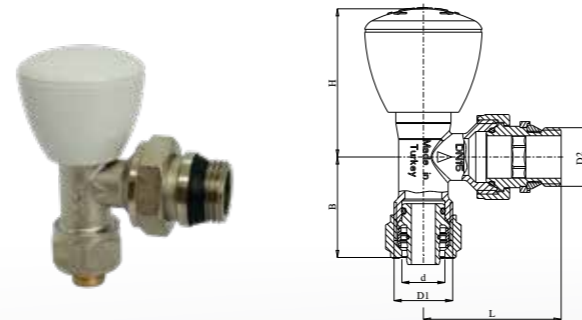


## RADIATOR VALVE WITH GASKET, ANGLE

RVK

Code	D1	D2	d	L	B	H	Inbox Qty
602120705	1/2"	1/2"	Ø16	48,7	35,5	52	50

- Heating Systems, 10 bar, 120°C

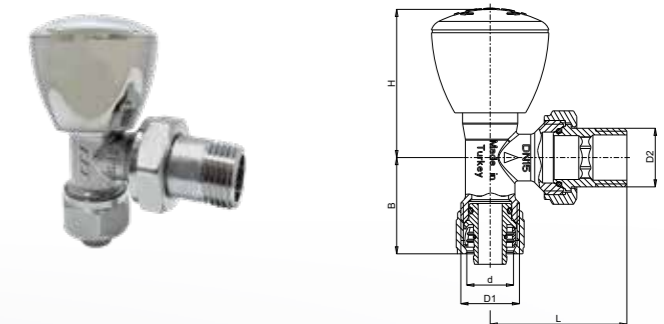


## RADIATOR VALVE, CHROME PLATED, ANGLE

RVK

Code	D1	D2	d	L	B	H	Inbox Qty
602120889	1/2"	1/2"	Ø16	48,3	34	52,4	50

- Heating Systems, 10 bar, 120°C

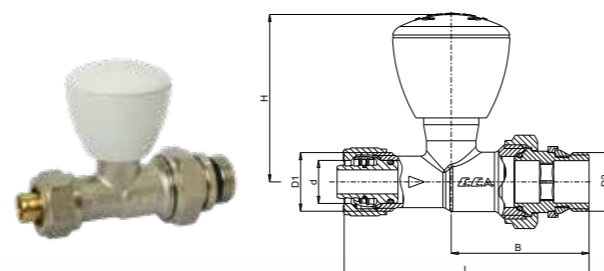


## RADIATOR VALVE WITH GASKET, STRAIGHT

RVK

Code	D1	D2	d	L	B	H	Inbox Qty
602120707	1/2"	1/2"	Ø16	86,5	48,7	59	50

- Heating Systems, 10 bar, 120°C

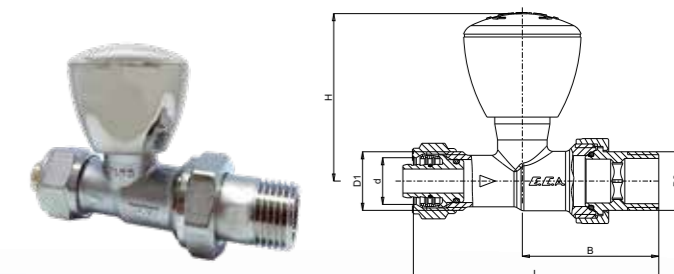


## RADIATOR VALVE, CHROME PLATED, STRAIGHT

RVK

Code	D1	D2	d	L	B	H	Inbox Qty
602120887	1/2"	1/2"	Ø16	86,7	48,2	59	50

- Heating Systems, 10 bar, 120°C

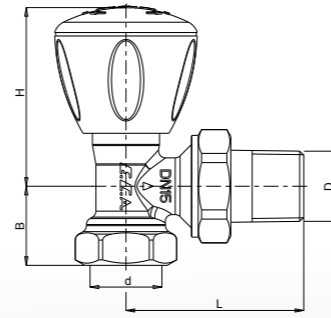


## RADIATOR VALVE, CHROME PLATED, ANGLE

RV3

Code	D	d	L	B	H	Inbox Qty
602120749	1/2"	1/2"	53	23	52	50

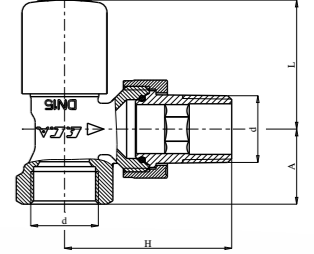
- TS 579
- Heating Systems, 10 bar, 120°C



## RADIATOR VALVE, CHROME PLATED, ANGLE

Code	d	L	A	H	Inbox Qty
602120280	1/2"	39,5	23	51	50

- TS 579
- Heating Systems, 10 bar, 120°C

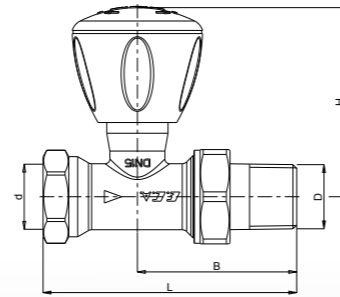


## RADIATOR VALVE, CHROME PLATED, STRAIGHT

RV3

Code	D	d	L	B	H	Inbox Qty
602120750	1/2"	1/2"	81	51	60,6	50

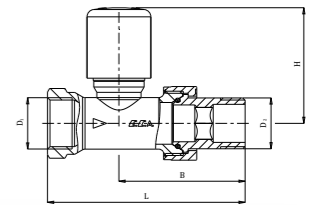
- TS 579
- Heating Systems, 10 bar, 120°C



## RADIATOR VALVE, CHROME PLATED, STRAIGHT

Code	D	d	L	B	H	Inbox Qty
602120281	1/2"	1/2"	80,5	51,5	47	50

- TS 579
- Heating Systems, 10 bar, 120°C

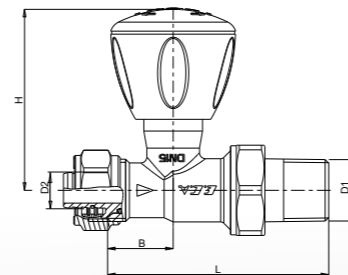


## RADIATOR VALVE, CHROME PLATED, ANGLE

RV3

Code	D1	D2	L	B	H	Inbox Qty
602120752	1/2"	Ø16	73,5	21,8	60,6	50

- Heating Systems, 10 bar, 120°C

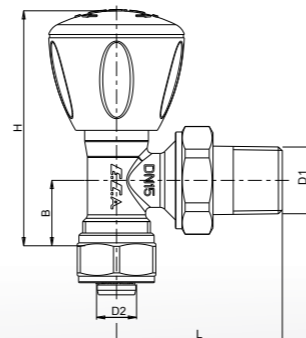


## RADIATOR VALVE, CHROME PLATED, STRAIGHT

RV3

Code	D1	D2	L	B	H	Inbox Qty
602120751	1/2"	Ø16	51	20	72	50

- Heating Systems, 10 bar, 120°C

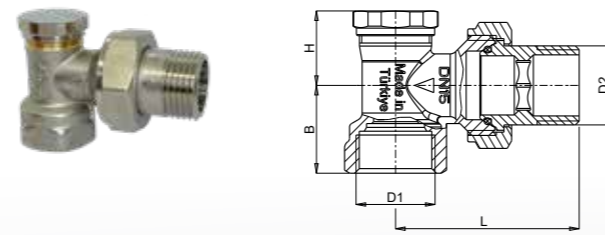


## RADIATOR CHECK VALVE, ANGLE

GVK, Lockshield Valve

Code	D1	D2	L	B	H	Inbox Qty
602120691	1/2"	1/2"	48	23	19,5	40

- Heating Systems, 10 bar, 120°C

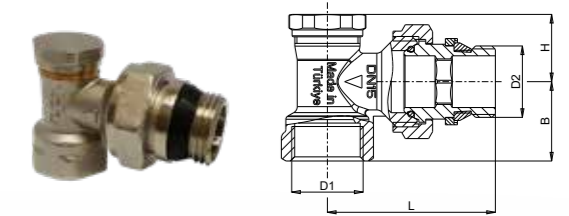


## RADIATOR CHECK VALVE WITH GASKET, ANGLE

GVK, Lockshield Valve

Code	D1	D2	L	B	H	Inbox Qty
602120698	1/2"	1/2"	48,7	23	19,5	40

- Heating Systems, 10 bar, 120°C

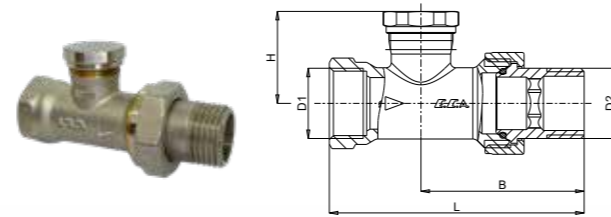


## RADIATOR CHECK VALVE, STRAIGHT

GVK, Lockshield Valve

Code	D1	D2	L	B	H	Inbox Qty
602120697	1/2"	1/2"	75	48	27	40

- Heating Systems, 10 bar, 120°C

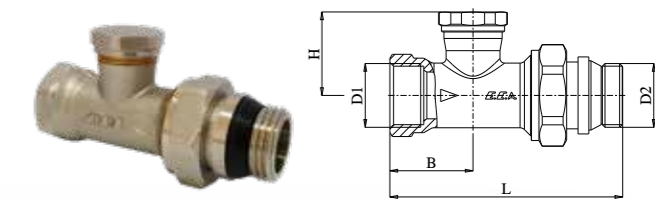


## RADIATOR CHECK VALVE WITH GASKET, STRAIGHT

GVK, Lockshield Valve

Code	D1	D2	L	B	H	Inbox Qty
602120699	1/2"	1/2"	27	75,6	27	40

- Heating Systems, 10 bar, 120°C

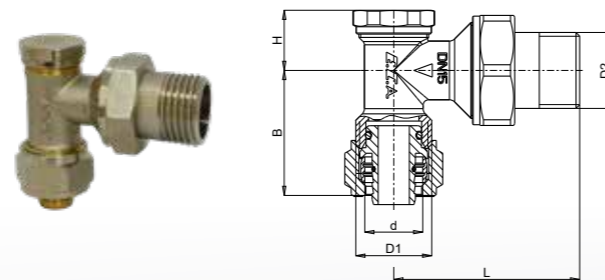


## RADIATOR CHECK VALVE, ANGLE

GVK, Lockshield Valve

Code	D1	D2	d	L	B	H	Inbox Qty
602120734	1/2"	1/2"	Ø16	50,7	34	16,4	40

- Heating Systems, 10 bar, 120°C

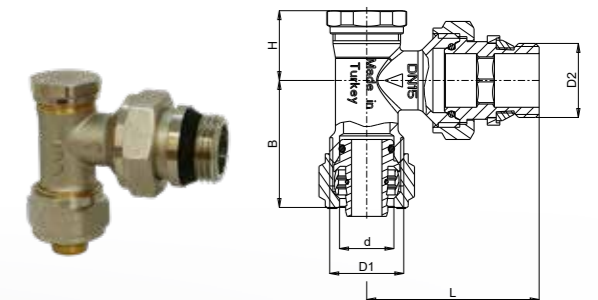


## RADIATOR CHECK VALVE WITH GASKET, ANGLE

GVK, Lockshield Valve

Code	D1	D2	d	L	B	H	Inbox Qty
602120700	1/2"	1/2"	Ø16	48,2	35,5	19,5	30

- Heating Systems, 10 bar, 120°C

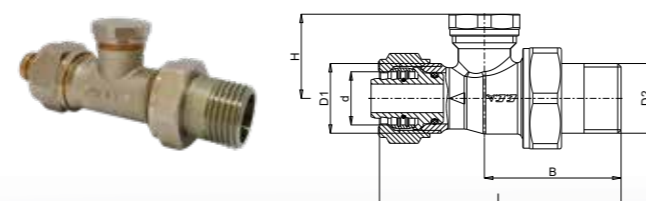


## RADIATOR CHECK VALVE, STRAIGHT

GVK, Lockshield Valve

Code	D1	D2	d	L	B	H	Inbox Qty
602120735	1/2"	1/2"	Ø16	71,8	40,6	25	40

- Heating Systems, 10 bar, 120°C

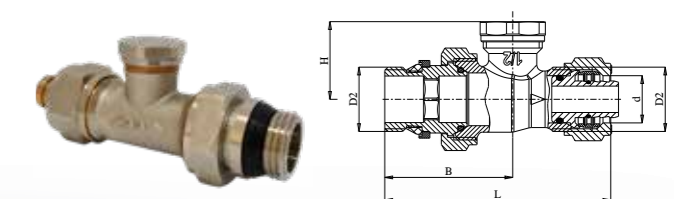


## RADIATOR CHECK VALVE WITH GASKET, STRAIGHT

GVK, Lockshield Valve

Code	D1	D2	d	L	B	H	Inbox Qty
602120701	1/2"	1/2"	Ø16	72,2	41,2	25	30

- Heating Systems, 10 bar, 120°C

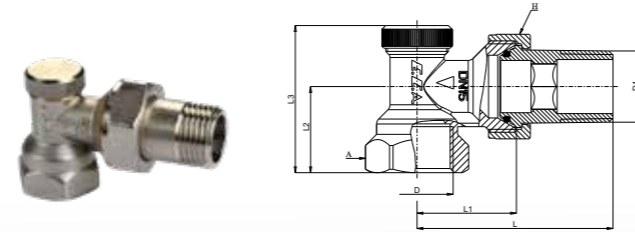


## RADIATOR CHECK VALVE, ANGLE

GV3, Lockshield Valve

Code	D	L	D1	L1	L2	L3	A	H	Inbox Qty
602120726	1/2"	56	1/2"	28,5	24,7	42	AA27	AA30	7

- TS 579
- Heating Systems, 10 bar, 120°C

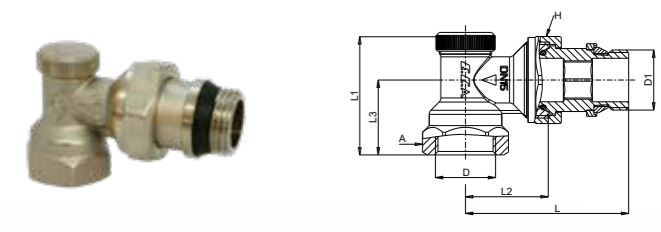


## RADIATOR CHECK VALVE WITH GASKET, ANGLE

GV3, Lockshield Valve

Code	D	L	D1	L1	L2	L3	A	H	Inbox Qty
602120728	1/2"	56	1/2"	41	28,5	25,8	AA27	AA30	7

- TS 579
- Heating Systems, 10 bar, 120°C

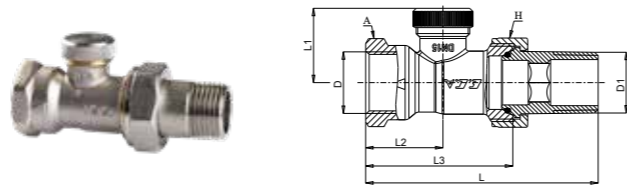


## RADIATOR CHECK VALVE, STRAIGHT

GV3, Lockshield Valve

Code	D	L	D1	L1	L2	L3	A	H	Inbox Qty
602120727	1/2"	78,2	1/2"	25	26	49,5	AA27	AA30	7

- TS 579
- Heating Systems, 10 bar, 120°C

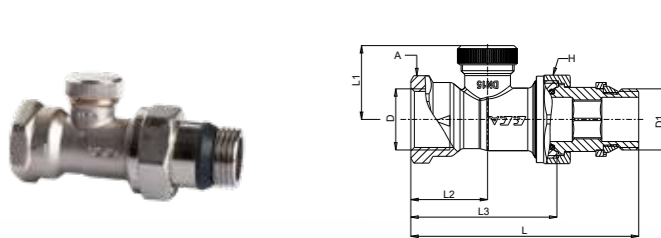


## RADIATOR CHECK VALVE WITH GASKET, STRAIGHT

GV3, Lockshield Valve

Code	D	L	D1	L1	L2	L3	A	H	Inbox Qty
602120729	1/2"	78,2	1/2"	25	26	49,5	AA27	AA30	7

- TS 579
- Heating Systems, 10 bar, 120°C

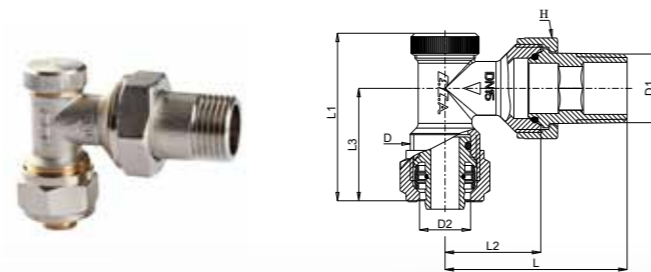


## RADIATOR CHECK VALVE, ANGLE

GV3, Lockshield Valve

Code	D1	D2	L	D1	L1	L2	L3	A	H	Inbox Qty
602120730	1/2"	Ø16	54,2	1/2"	50	28,5	33	AA24	AA30	7

- Heating Systems, 10 bar, 120°C

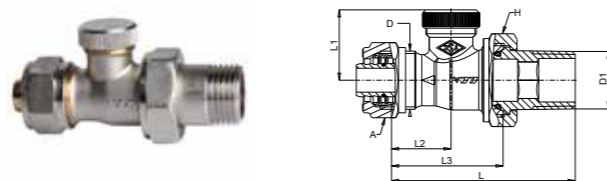


## RADIATOR CHECK VALVE, STRAIGHT

GV3, Lockshield Valve

Code	D1	D2	L	D1	L1	L2	L3	A	H	Inbox Qty
602120731	1/2"	Ø16	65	1/2"	25	21	40	AA24	AA30	7

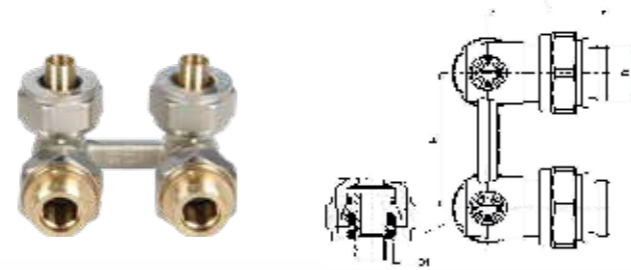
- Heating Systems, 10 bar, 120°C



## H-VALVE, BALL TYPE, ANGLE

Code	D	L	D1	H	Inbox Qty
602120333	1/2"	45	Ø16	50	21

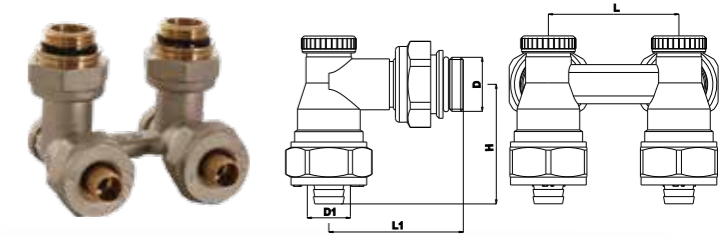
- Adjustable with Screwdriver
- Heating Systems, 10 bar, 120°C



## H-VALVE, STOP TYPE, ANGLE

Code	D	D1	L	L1	H	Inbox Qty
602120349	1/2"	Ø16	50	51,5	46	21

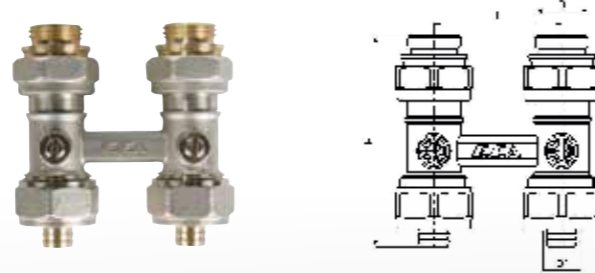
- Adjustable with Allen Key
- Protective cover for flap
- Heating Systems, 10 bar, 120°C



## H-VALVE, BALL TYPE, STRAIGHT

Code	D	L	D1	H	Inbox Qty
602120331	1/2"	50	Ø16	83	21

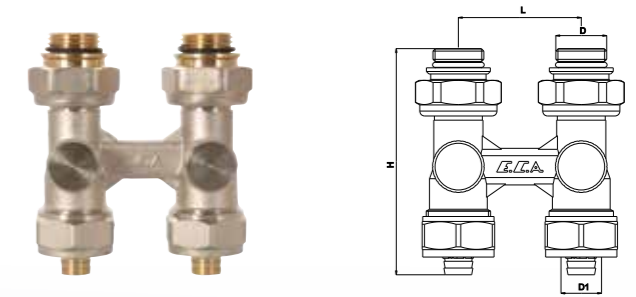
- Adjustable with Screwdriver
- Heating Systems, 10 bar, 120°C



## H-VALVE, STOP TYPE, STRAIGHT

Code	D	D1	L	H	Inbox Qty
602120348	1/2"	Ø16	50	92	21

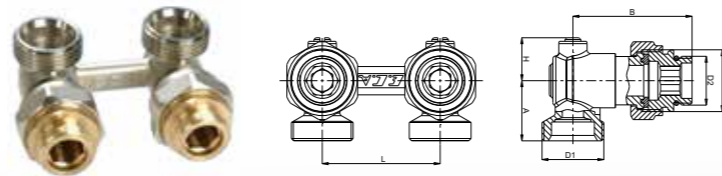
- Adjustable with Allen Key
- Protective cover for flap
- Heating Systems, 10 bar, 120°C



## H-VALVE, BALL TYPE WITHOUT UNION, ANGLE

Code	D1	D2	L	B	A	H	Inbox Qty
602120286	3/4"	1/2"	50	50,5	25,5	18,2	7

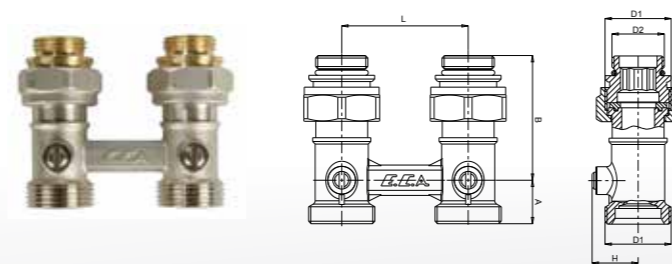
- Adjustable with Screwdriver
- Heating Systems, 10 bar, 120°C



## H-VALVE, BALL TYPE WITHOUT UNION, STRAIGHT

Code	D1	D2	L	B	H	A	Inbox Qty
602120285	1/2"	3/4"	50	49,3	18,2	17,2	7

- Adjustable with Screwdriver
- Heating Systems, 10 bar, 120°C

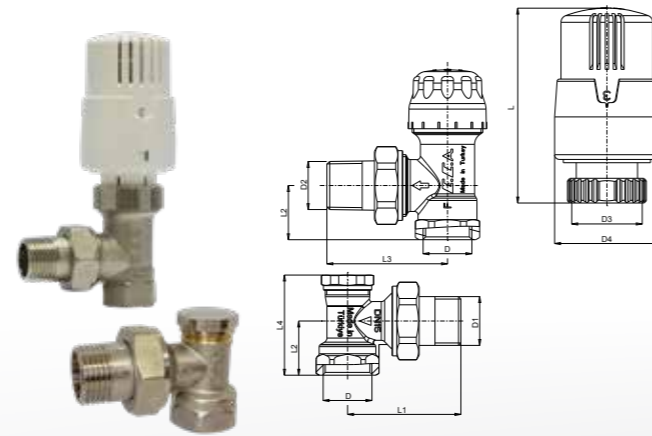


## THERMOSTATIC RADIATOR VALVE SET, ANGLE

TRV4, GVK

Code	D	L	D1	D2	D3	D4	L1	L2	L3	L4	A	Inbox Qty
602120817	1/2"	83	1/2"	1/2"	M30x1,5	44,5	48	23	51	42,5	AA30	18

EN 215, TS EN 215 (Up to 30% Energy Saving)

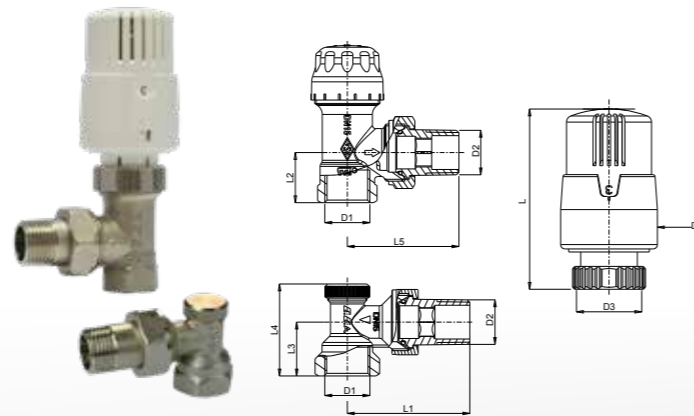


## THERMOSTATIC RADIATOR VALVE SET, ANGLE

TRV4, GVK

Code	D	L	D2	D3	D4	L1	L2	L3	L4	A	Inbox Qty
602120787	1/2"	83	1/2"	M30x1,5	44,5	56	23	25	42	AA30	18

EN 215, TS EN 215 (Up to 30% Energy Saving)

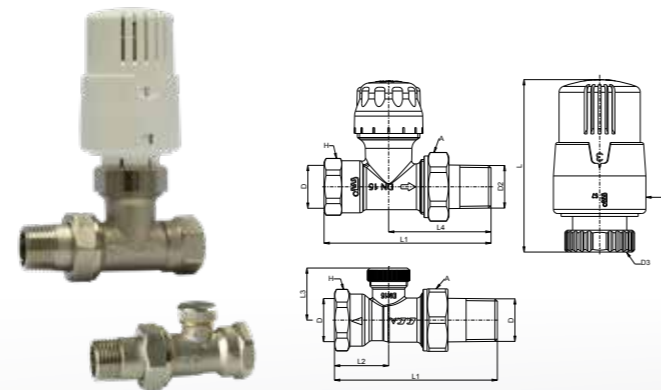


## THERMOSTATIC RADIATOR VALVE SET, STRAIGHT

TRV4, GVK

Code	D	L	D2	D3	D4	L1	L2	L3	L4	A	H	Inbox Qty
602120788	1/2"	83	1/2"	M30x1,5	44,5	79	26	25	49	AA30	AA27	18

EN 215, TS EN 215 (Up to 30% Energy Saving)

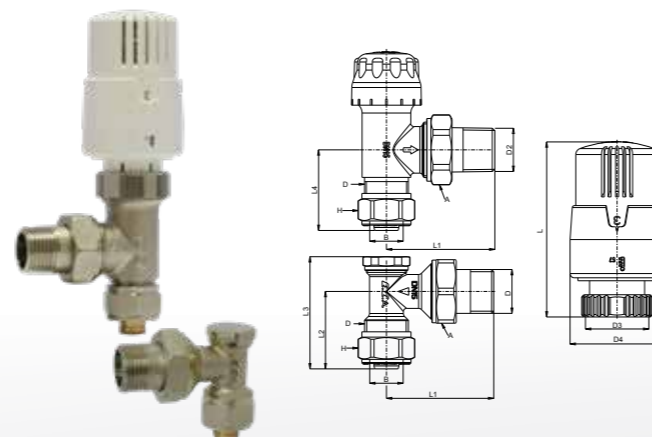


## THERMOSTATIC RADIATOR VALVE SET, ANGLE

TRV4, GVK

Code	D	L	D2	D3	L1	L2	L3	L4	A	H	B	Inbox Qty
602120785	1/2"	83	1/2"	M30x1,5	51	37	53	38	AA30	AA24	Ø16	18

EN 215, TS EN 215 (Up to 30% Energy Saving)

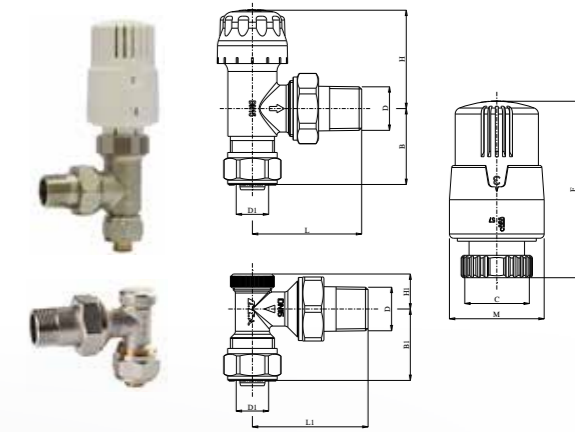


## THERMOSTATIC RADIATOR VALVE SET, ANGLE

TRV4, GV3

Code	F	C	M	D	D1	H	H1	B	B1	L	L1	Inbox Qty
602120789	83	M30x1,5	45	1/2"	Ø16	46	16,5	35,5	33,5	51,5	54,5	18

EN 215, TS EN 215 (Up to 30% Energy Saving)

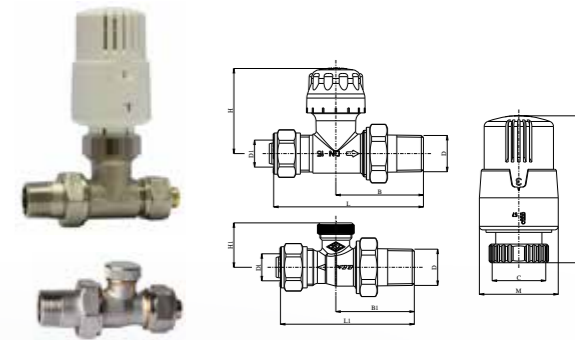


## THERMOSTATIC RADIATOR VALVE SET, STRAIGHT

TRV4, GV3

Code	F	C	M	D	D1	H	H1	B	B1	L	L1	Inbox Qty
602120790	83	M30x1,5	45	1/2"	Ø16	48	25	49,5	44,5	84,5	75,5	18

EN 215, TS EN 215 (Up to 30% Energy Saving)

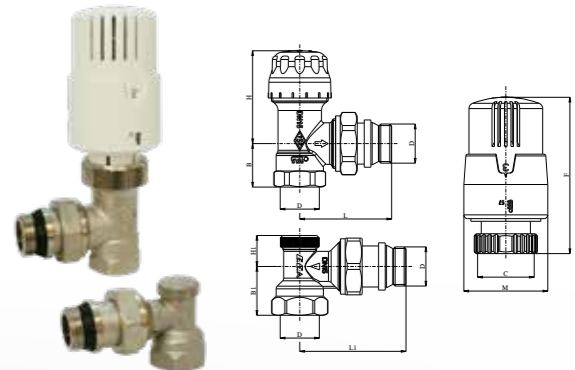


## THERMOSTATIC RADIATOR VALVE SET WITH GASKET, ANGLE

TRV4, GV3

Code	F	C	M	D	H	H1	B	B1	L	L1	Inbox Qty
802120009	83	M30x1,5	45	1/2"	49	16,5	23	26	49	56,5	18

EN 215, TS EN 215 (Up to 30% Energy Saving)

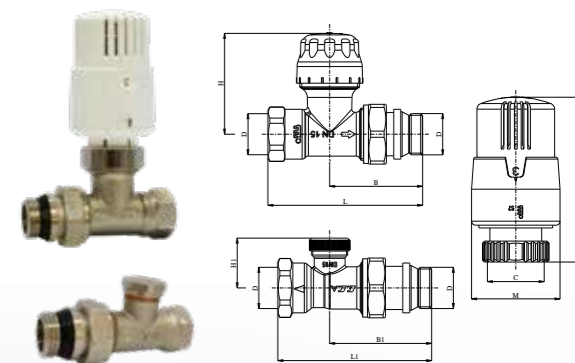


## THERMOSTATIC RADIATOR VALVE SET WITH GASKET, STRAIGHT

TRV4, GVK

Code	F	C	M	D	H	H1	B	B1	L	L1	Inbox Qty
802120045	83	M30x1,5	45	1/2"	51	25	47	51,5	78	77	18

EN 215, TS EN 215 (Up to 30% Energy Saving)





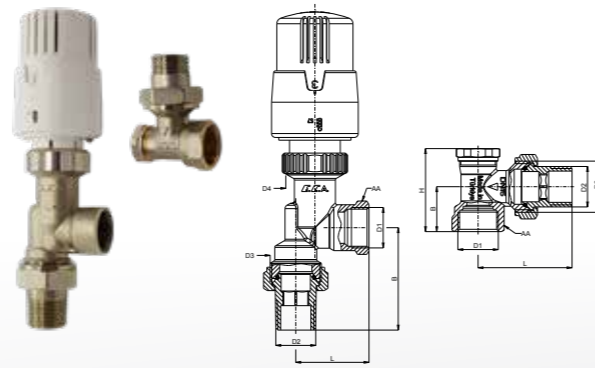
## THERMOSTATIC RADIATOR VALVE SET, ANGLE

TRV4, GVK

Code		D1	D2	D3	D4	L	B	H	AA
602120881	TRV4	1/2"	1/2"	3/4"	M30x1,5	37,5	52,4	24	
	GVK		1/2"		48	23	42,5		

EN 215, TS EN 215 (Up to 30% Energy Saving)

- Heating Systems, 10 bar, 120°C



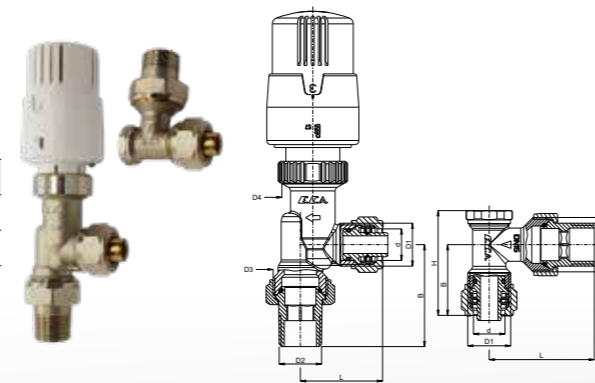
## THERMOSTATIC RADIATOR VALVE SET, ANGLE

TRV4, GVK

Code		D1	D2	D3	D4	d	L	B	H
602120884	TRV4	1/2"	1/2"	3/4"	M30x1,5	Ø16	39,6	49	
	GVK		1/2"		50,7	34	50,5		

EN 215, TS EN 215 (Up to 30% Energy Saving)

- Heating Systems, 10 bar, 120°C



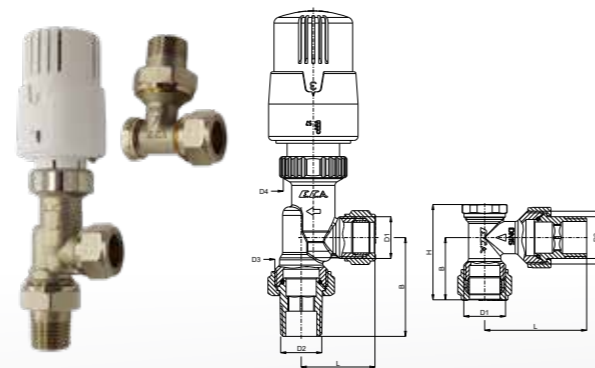
## THERMOSTATIC RADIATOR VALVE SET HORIZONTAL AXIS ANGLE

TRV4, GVK

Code		D1	D2	D3	D4	L	B	H
602120884	TRV4	1/2"	3/4"	M30x1,5	36,6	49		
	GVK				50,6	31		

EN 215, TS EN 215 (Up to 30% Energy Saving)

- Heating Systems, 10 bar, 120°C



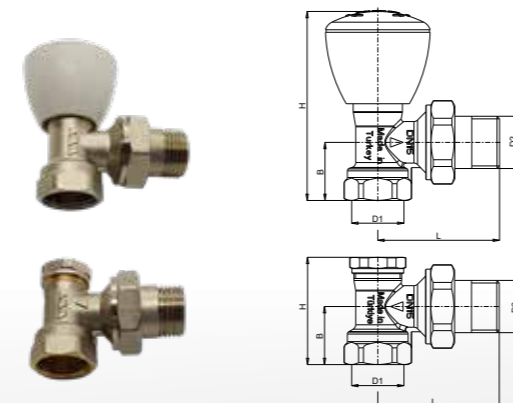
## RADIATOR VALVE SET, ANGLE

RVK, GVK

Code		D1	D2	L	B	H
602120874	RVK	1/2"		48	23	75
	GVK			48	23	42,5

EN 215, TS EN 215 (Up to 30% Energy Saving)

- Heating Systems, 10 bar, 120°C



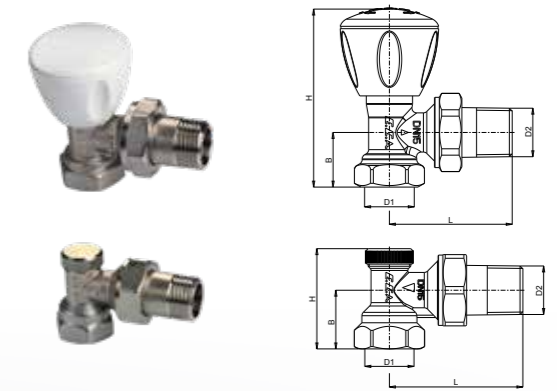
## RADIATOR VALVE SET, ANGLE

RV3, GV3

Code		D1	D2	L	B	H
602120828	RV3	1/2"		51,7	23	75
	GV3			56,2	24,7	42,2

EN 215, TS EN 215 (Up to 30% Energy Saving)

- Heating Systems, 10 bar, 120°C



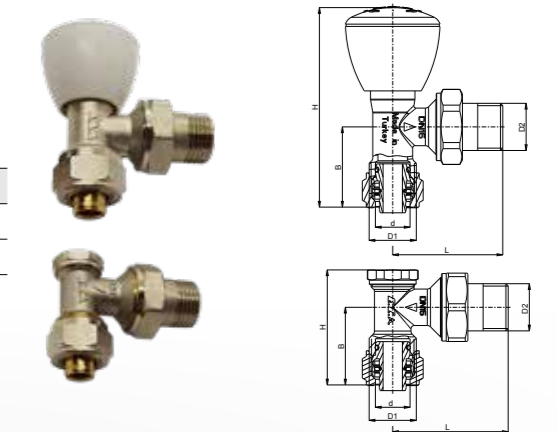
## RADIATOR VALVE SET, ANGLE

RVK, GVK

Code		D1	D2	d	L	B	H
602120875	RVK	1/2"		Ø16	48,3	35,2	87,5
	GVK				50,7	34	50,5

EN 215, TS EN 215 (Up to 30% Energy Saving)

- Heating Systems, 10 bar, 120°C

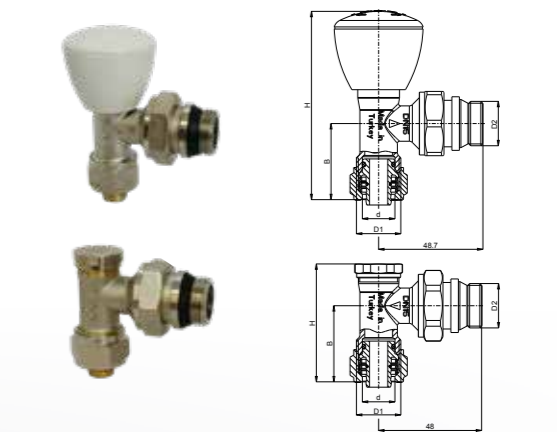


## RADIATOR VALVE SET WITH GASKET, ANGLE

RVK, GVK

Code		D1	D2	d	L	B	H
602120941	RVK	1/2"		Ø16	48,3	35,5	88
	GVK				50,7	35,5	55

EN 215, TS EN 215 (Up to 30% Energy Saving)

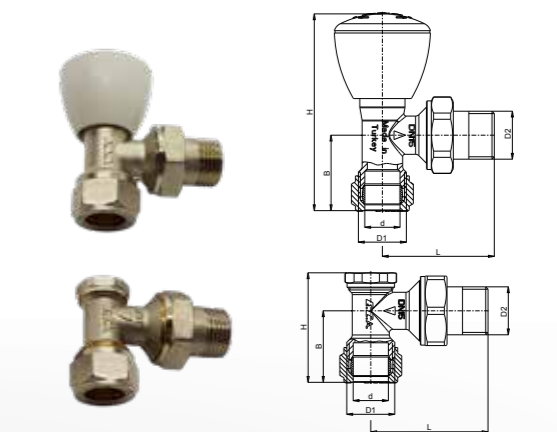


## RADIATOR VALVE SET, ANGLE

RVK, GVK

Code		D1	D2	d	L	B	H
602120882	RVK	1/2"		Ø16	48,3	31	85
	GVK				50,7	32,5	47,3

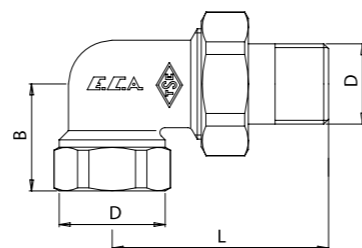
- Heating Systems, 10 bar, 120°C



## UNIONS, ANGLE

Code	D	L	D1	Inbox Qty
601002001	3/8"	50	22	100
601002002	1/2"	56	26	80
601002003	3/4"	64	29	40
601002004	1"	72	34	25
601002005	1 1/4"	81.5	42	15

- TS 579
- Heating Systems, 10 bar, 120°C



## UNIONS, ANGLE

Nickel Plated

Code	D	L	B	Inbox Qty
602121001	3/8"	50	22	100
602121002	1/2"	56	26	80
602121003	3/4"	64	29	40
602121004	1"	72	34	25
602121005	1 1/4"	81.5	42	15

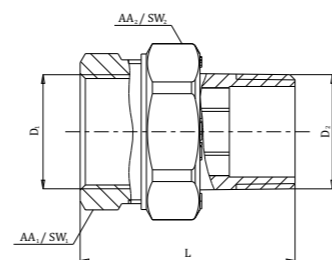
- TS 579
- Heating Systems, 10 bar, 120°C



## UNIONS, STRAIGHT

Code	D1	D2	L	AA <sub>1</sub> /SW <sub>1</sub>	AA <sub>2</sub> /SW <sub>2</sub>	Inbox Qty
601002006	3/8"	48	22	27	125	
601002007	1/2"	53	27	30	100	
601002008	3/4"	58	32	37	70	
601002009	1"	63	41	46	40	
601002010	1 1/4"	71	50	55	25	

- TS 579
- Heating Systems, 10 bar, 120°C



## UNIONS, STRAIGHT

Nickel Plated

Code	D1	D2	L	AA <sub>1</sub> /SW <sub>1</sub>	AA <sub>2</sub> /SW <sub>2</sub>	Inbox Qty
602121006	3/8"	50	22	27	125	
602121007	1/2"	56	27	30	100	
602121008	3/4"	64	32	37	70	
602121009	1"	63	41	46	40	
602121010	1 1/4"	81,5	50	55	25	

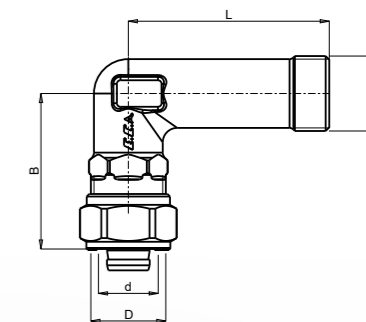
- TS 579
- Heating Systems, 10 bar, 120°C



## RADIATOR CONNECTION ELBOW

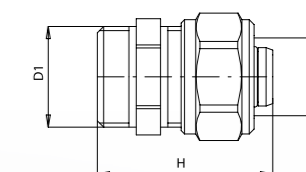
Code	D	d	B	L
602499181	1/2"	Ø16	43	56

- Heating Systems, 10 bar, 120°C



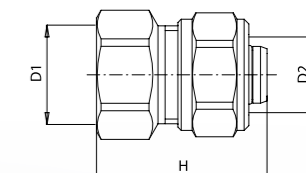
## UNION, STRAIGHT, MALE

Code	D1	D2	H	Inbox Qty
602199272	1/2"	16	36,1	150



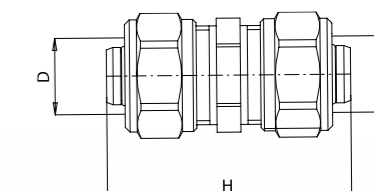
## UNION, STRAIGHT, FEMALE

Code	D1	D2	H	Inbox Qty
602199273	1/2"	16	36	200



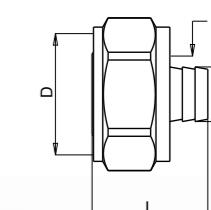
## UNION, STRAIGHT, Pex Pipe Connection

Code	D1	D2	H	Inbox Qty
602199274	16	16	51	150



## UNION, EUROCONE

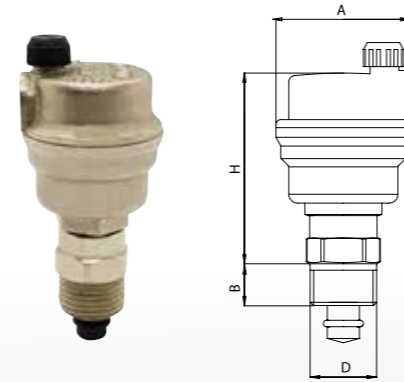
Code	D1	d	L	t	Inbox Qty
602199343	3/4"	11,8	25	Ø16	80
602399929	3/4"	12,8	21	Ø17x2	80



## AUTOMATIC AIR PURGER (WITH CHECK VALVE)

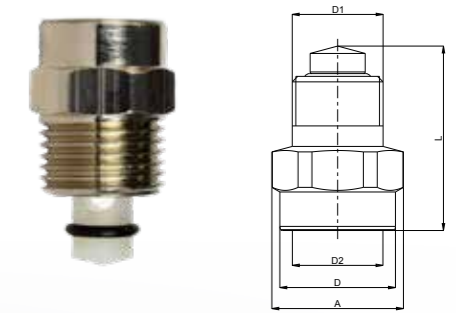
Code	D	B	H	A	Inbox Qty
102109139	3/4"	13	61	42	40
102109134	1/2"	13	59,5	42	40

- TS 7817
- Heating Systems, 10 bar, 110°C



## CHECK VALVE FOR AUTOMATIC AIR PURGER

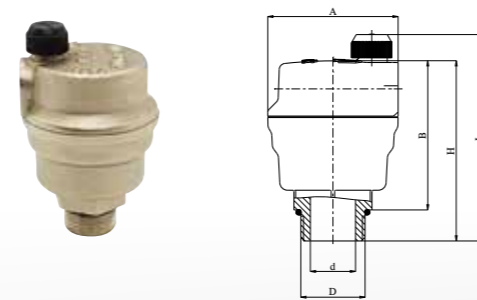
Code	D	D1	B	A	L	Inbox Qty
102199150-01	3/8"	3/8"	21	AA22	33,5	60
102199154-01	1/2"	1/2"	21	AA22	33,5	60



## AUTOMATIC AIR PURGER (WITHOUT CHECK VALVE)

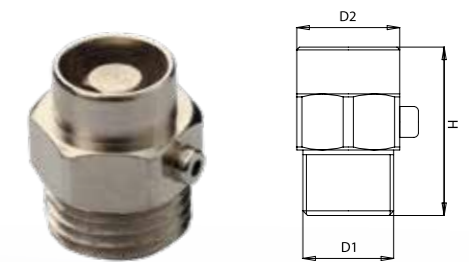
Code	D	L	H	B	A	d	d1	Inbox Qty
602109013	3/8"	66,5	57,5	-	Ø42	Ø10,3	Ø9	40
602109051	1/2"	66,5	58	48	Ø42	Ø14,55	-	40

- TS 7817
- Heating Systems, 10 bar, 110°C



## MANUAL AIR PURGER

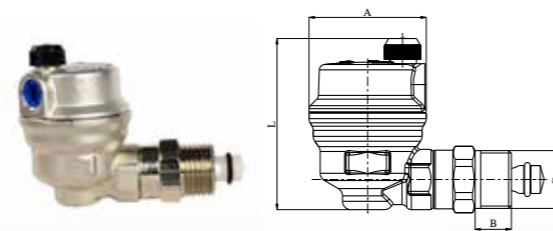
Code	D1	D2	H	Inbox Qty
102109011	1/8"	11	18	50
102109012	1/4"	14	18	50



## AUTOMATIC AIR PURGER (WITH CHECK VALVE), ANGLE

Code	D	L	A	B	Inbox Qty
602109033	3/8"	61,3	Ø42	13	45
602109034	1/2"	61,3	Ø42	13	45

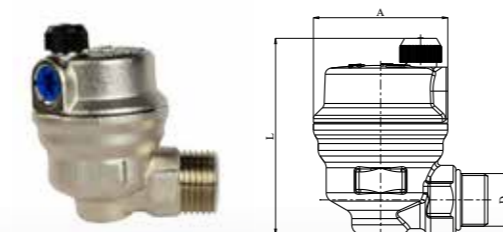
- TS 7817
- Heating Systems, 10 bar, 110°C



## AUTOMATIC AIR PURGER (WITHOUT CHECK VALVE), ANGLE

Code	D	L	A	Inbox Qty
602109037	3/8"	61,3	Ø42	45
602109052	1/2"	61,3	Ø42	45

- TS 7817
- Heating Systems, 10 bar, 110°C

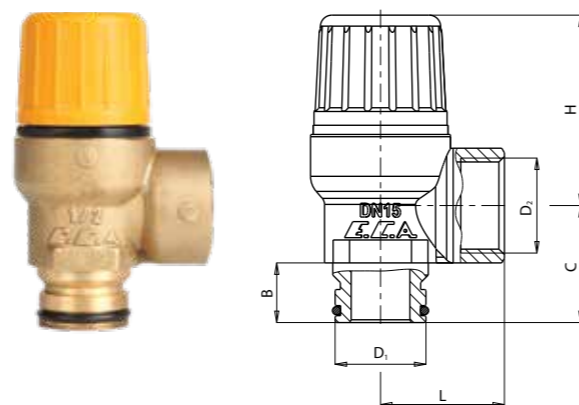


## SAFETY VALVE

For Solar Energy Systems

Code	D1	D2	B	L	C	H	AA / SW	Inbox Qty
602111033	Ø20	1/2"	13	27	25,5	41,5	25	50

- TS EN 4126-1
- Operating Pressure 3 bar
- 130 °C

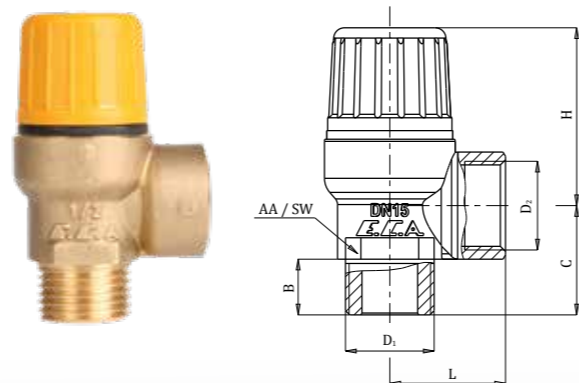


## SAFETY VALVE

For Solar Energy Systems

Code	D1	D2	B	L	C	H	AA / SW	Inbox Qty
602111034	1/2"	1/2"	13	27	25,5	41,5	25	50

- TS EN 4126-1
- Operating Pressure 3 bar
- 130 °C

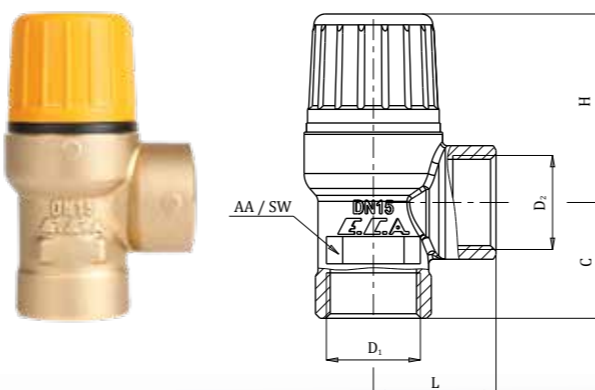


## SAFETY VALVE

For Solar Energy Systems

Code	D1	D2	L	C	H	AA / SW	Inbox Qty
602111035	1/2"	1/2"	27	25,5	41,5	25	50

- TS EN 4126-1
- Operating Pressure 3 bar
- 130 °C

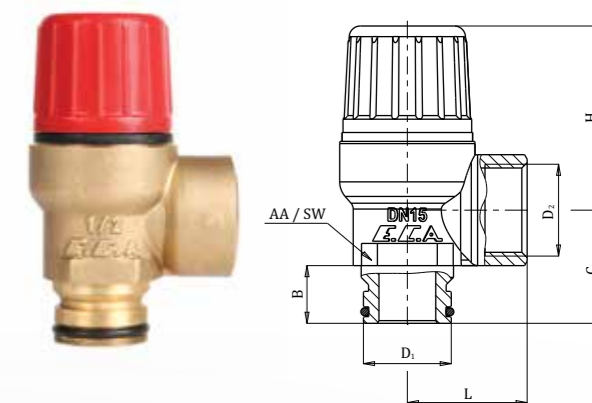


## SAFETY VALVE

Internal Thread, O-Ring Type

Code	D1	D2	B	L	C	H	AA / SW	Inbox Qty
602111027	Ø20	1/2"	13	27	25,5	41,5	25	50

- TS EN 4126-1
- 110 °C

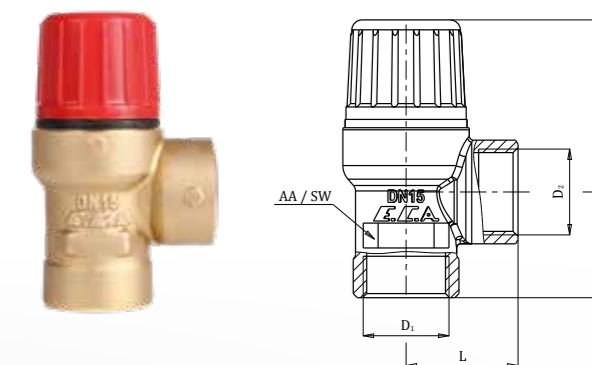


## SAFETY VALVE

For Plumbing Systems/Combi Boiler

Code	D1	D2	Bar	L	C	H	AA / SW	Inbox Qty
602111032	1/2"	1/2"	3	27	25,5	41,5	25	50
602111092	1/2"	1/2"	4	27	25,5	41,5	25	50
602111086	1/2"	1/2"	6	27	25,5	41,5	25	50
602111113	1/2"	1/2"	8	27	25,5	41,5	25	50

- TS EN 4126-1
- 110 °C

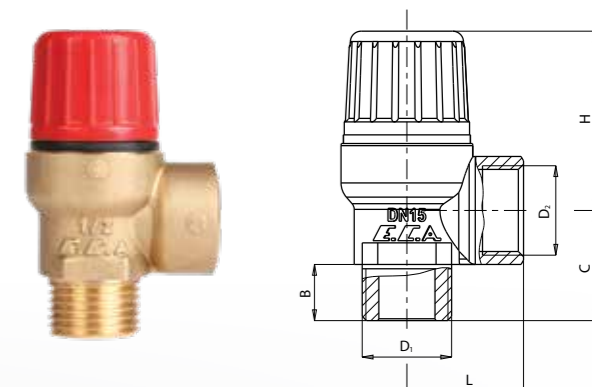


## SAFETY VALVE

For Plumbing Systems/Combi Boiler

Code	D1	D2	Bar	B	L	C	H	AA / SW	Inbox Qty
602111031	1/2"	1/2"	3	13	27	25,5	41,5	25	50
602111091	1/2"	1/2"	4	13	27	25,5	41,5	25	50
602111085	1/2"	1/2"	6	13	27	25,5	41,5	25	50
602111112	1/2"	1/2"	8	13	27	25,5	41,5	25	50
602111061	3/4"	3/4"	4	13	27	25,5	41,5	25	50
602111062	3/4"	3/4"	6	13	27	25,5	41,5	25	50
602111111	3/4"	3/4"	8	13	27	25,5	41,5	25	50

- TS EN 4126-1
- 110 °C

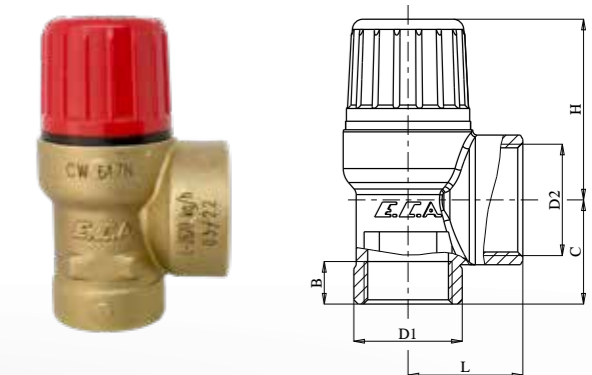


## SAFETY VALVE

For Plumbing Systems/Combi Boiler

Code	D1	D2	Bar	B	L	C	H	AA / SW	Inbox Qty
602111097	1/2"	3/4"	3	10	27	24,5	42,5	25	50
602111098	1/2"	3/4"	4	10	27	24,5	42,5	25	50
602111108	1/2"	3/4"	6	10	27	24,5	42,5	25	50
602111114	1/2"	3/4"	8	10	27	24,5	42,5	25	50

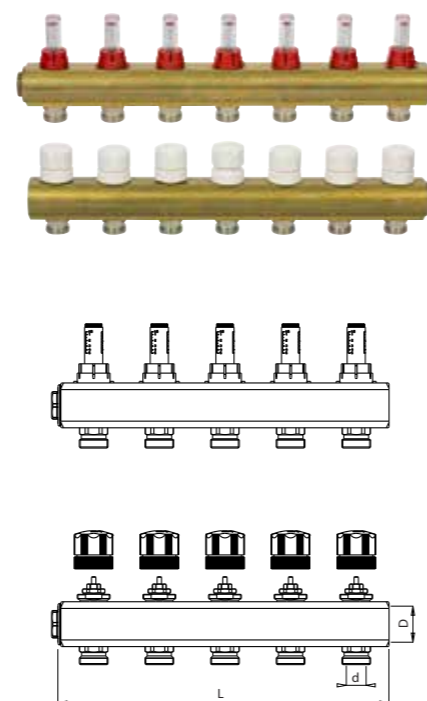
- TS EN 4126-1
- 110 °C
- Reduction type



## MANIFOLD SET WITH FLOWMETER

Code	Number of Outlet	D	d	L	Inbox Qty
601026097	2	G1"	3/4"	128,5	12
601026098	3			188,5	9
601026099	4			248,5	6
601026100	5			308,5	4
601026101	6			368,5	4
601026102	7			428,5	4
601026103	8			488,5	3
601026104	9			548,5	3
601026105	10			608,5	3
601026106	11			668,5	2
601026107	12			728,5	2
601026108	13			788,5	2

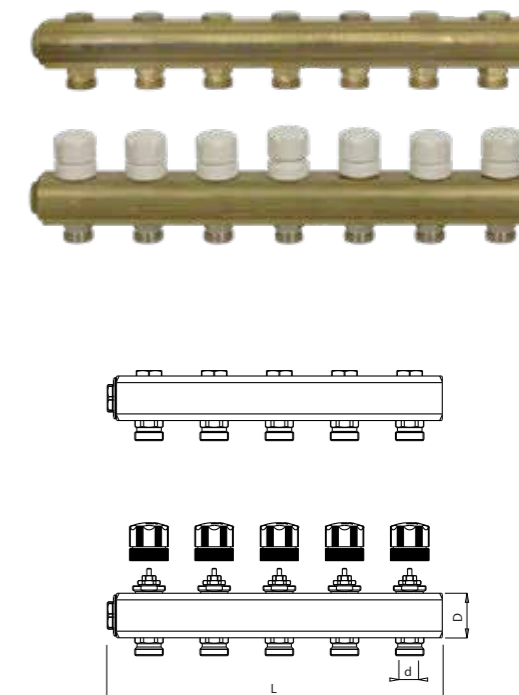
- Operating Pressure 6 bar
- Test pressure 10 bar (20°C)
- Flowmeter operating temperature -10°C, +70°C
- Access manifold
- Return manifold has flow regulation valve
- Included manifold's plug



## MANIFOLD SET WITHOUT FLOWMETER

Code	Number of Outlet	D	d	L	Inbox Qty
601026109	2	G1"	3/4"	128,5	12
601026110	3			188,5	9
601026111	4			248,5	6
601026112	5			308,5	4
601026113	6			368,5	4
601026114	7			428,5	4
601026115	8			488,5	3
601026116	9			548,5	3
601026117	10			608,5	3
601026118	11			668,5	2
601026119	12			728,5	2
601026120	13			788,5	2

- Operating Pressure: 6 bar
- Test pressure: 10 bar (20°C)
- Flowmeter operating temperature: -10°C, +70°C
- Access manifold has flow regulation clack and indicator
- Return manifold has flow regulation valve
- Included manifold's plug

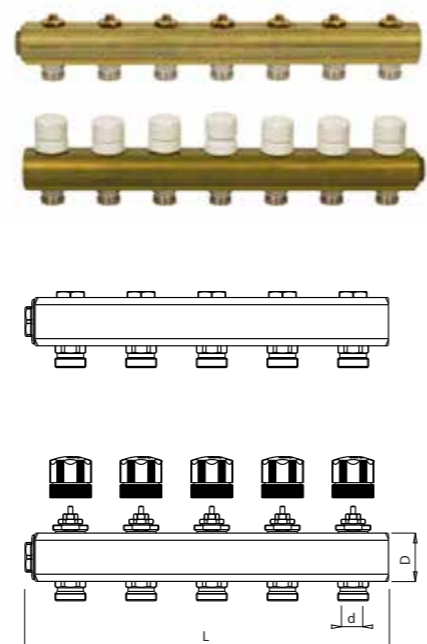


## MANIFOLD SET WITHOUT FLOWMETER

Adjustable with Allen Wrench

Code	Number of Outlet	D	d	L	Inbox Qty
601026214	2	G1"	3/4"	128,5	12
601026215	3			188,5	9
601026216	4			248,5	6
601026217	5			308,5	4
601026218	6			368,5	4
601026219	7			428,5	4
601026220	8			488,5	3
601026221	9			548,5	3
601026222	10			608,5	3
601026223	11			668,5	2
601026224	12			728,5	2
601026225	13			788,5	2

- Operating Pressure: 6 bar
- Test pressure: 10 bar (20°C)
- Flowmeter operating temperature: -10°C, +70°C
- Access manifold has flow regulation clack and indicator
- Return manifold has flow regulation valve
- Included manifold's plug



## UNION, EUROCONE

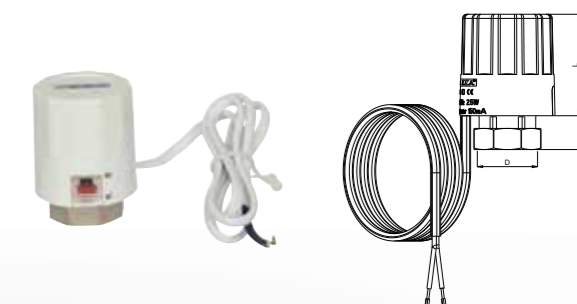
Code	D1	d	L	t	Inbox Qty
602199343	3/4"	11,8	25	Ø16	80
602399929	3/4"	12,8	21	Ø17x2	80



## ACTUATOR

Code	D	L	H	Inbox Qty
602399734	M30x1.5	48	64	10

- Normally Closed (NC)
- Supply voltage 220 V
- Max. inrush current 150 mA
- Frequency 50-60 Hz
- Running power consumption 2.5 W
- Spindle travel time 4.5 min.
- Ambient temperature (-10) - (+60)°C
- Stroke 2.5 mm (minimum after 5 years)
- Actuating force NC: 100 N  
NO: 140 N
- Closing measurement 15.1 +/- 0.25 mm
- Approval CE
- Enclosure IP 44
- Cable length 750 mm



## 2 WAY VALVE WITH ACTUATOR, WITH UNION (OUTLET)

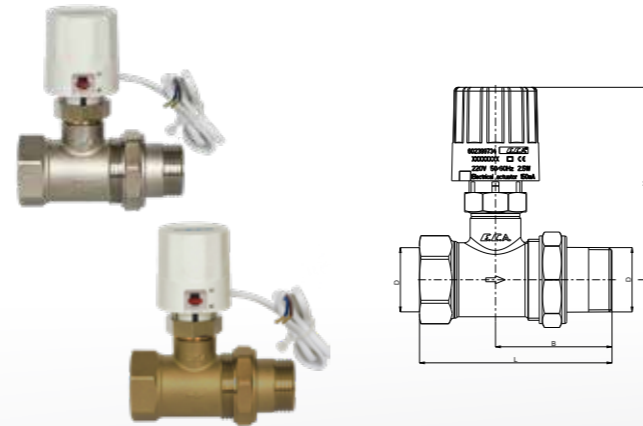
Nickel Plated

Code	D	L	B	H	Inbox Qty
602120747	1"	99	60	99	2

- Normally Closed (NC)

Code	D	L	B	H	Inbox Qty
602120895	1"	99	60	99	2

- Normally Closed (NC)



## 2 WAY VALVE WITH ACTUATOR, REVERSIBLE UNION

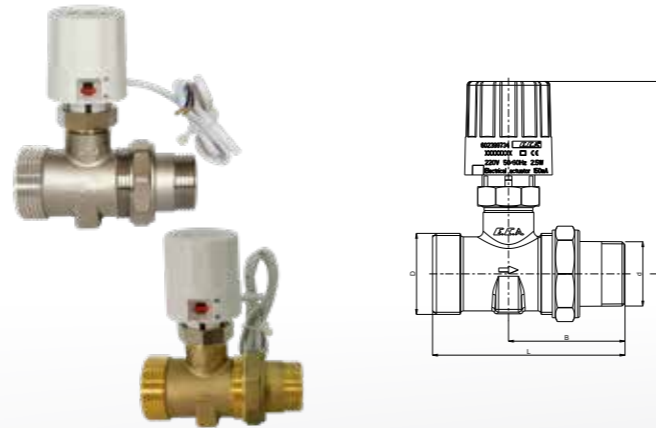
Nickel Plated

Code	D	d	L	B	H	Inbox Qty
602120804	1 1/4"	1"	99	60	99	2

- Normally Closed (NC)

Code	D	d	L	B	H	Inbox Qty
601001006	1 1/4"	1"	99	60	99	2

- Normally Closed (NC)



## 2 WAY VALVE WITH ACTUATOR, WITH UNION (INLET)

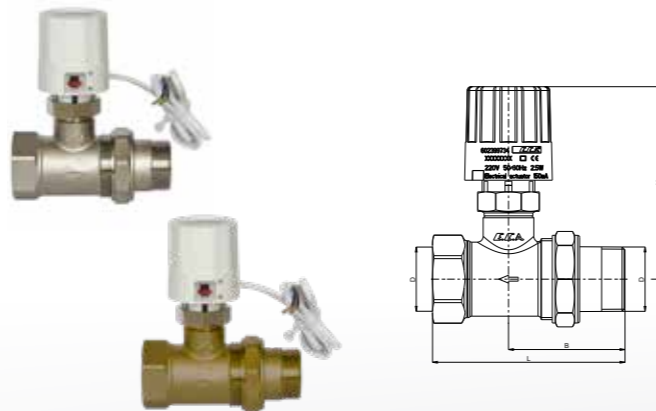
Nickel Plated

Code	D	L	B	H	Inbox Qty
802120088	1"	99	60	99	2

- Normally Closed (NC)

Code	D	L	B	H	Inbox Qty
602120863	1"	99	60	99	2

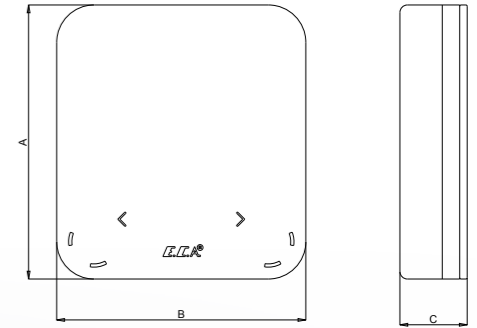
- Normally Closed (NC)



## SMART ROOM THERMOSTAT

Code	A	B	C	Inbox Qty
601021037	110	100	27	3

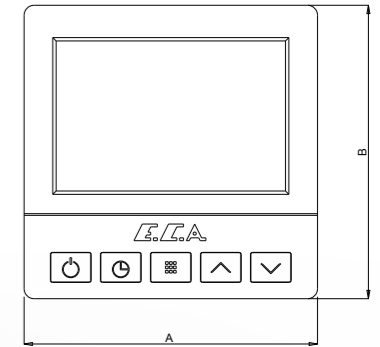
- Switching Capacity: 5A 250VAC / 3A 30VDC
- Supply Voltage: 100-240VAC
- 50/60 Hz



## DIGITAL ROOM THERMOSTAT

Code	A	B	Inbox Qty
601021031	88	88	4

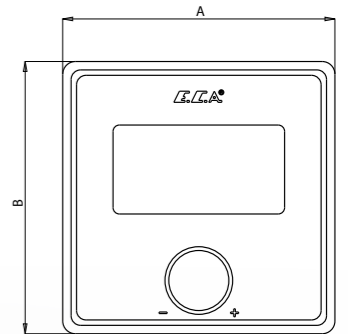
- Switching Capacity: 5A 250VAC / 3A 30VDC
- Supply Voltage: 100-240VAC
- 50/60 Hz



## DIGITAL ROOM THERMOSTAT

Code	Temp. Range	A	B	Inbox Qty
601021042	5-30°C	86	86	4
601021047	15-30°C	86	86	4

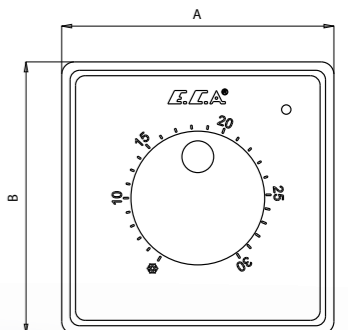
- Switching Capacity: 5A 250VAC / 3A 30VDC
- Supply Voltage: 100-240VAC
- 50/60 Hz



## MANUAL ROOM THERMOSTAT

Code	Temp. Range	A	B	Inbox Qty
601021043	5-30°C	86	86	4
601021048	15-30°C	86	86	4

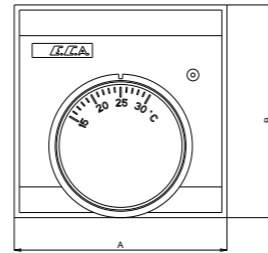
- Switching Capacity: 5A 250VAC / 3A 30VDC
- Supply Voltage: 100-240VAC
- 50/60 Hz



## ROOM THERMOSTAT

Code	Temp. Range	A	B	Inbox Qty
601021030	10-30°C	83	83	5
601021033	15-30°C	83	83	4

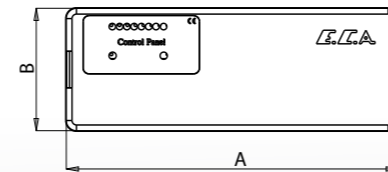
- 220/240 VAC, 50/60Hz



## MAIN CONTROL UNIT

Code	A	B	Inbox Qty
601021035	228	84	10

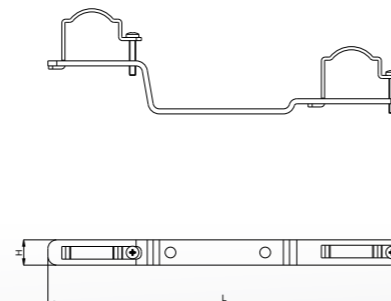
- CE
- Room thermostat, actuator, pump and mixing valves integration control
- Breaker for indicator
- Electrical and thermal safety
- Power source: 100-240 VAC 50/60 Hz
- Max. Total Current: 6 A
- Operating Temperature: -20 °C -60°C
- Storage Temperature: -20 °C -70 °C
- For 8 pcs Thermostat, 16 pcs Adapter



## CONSOLE FOR UNDERFLOW HEATING MANIFOLDS

Code	L	H	Inbox Qty
610212003	280	20	10

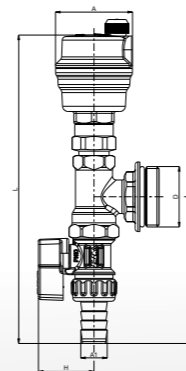
- Wall fixing screws are not included



## AIR/WATER DISCHARGE SET

Code	Color	L	A1	H	A	B	Inbox Qty
602399746	Red	168,2	14,5	30	42	80	10
602399747	Blue	168,2	14,5	30	42	80	10

- Automatic air purger, mini ball valve, tee, redaction tap
- Max. Operating Temperature: +80°C
- Max. Operating Pressure: 10 bar

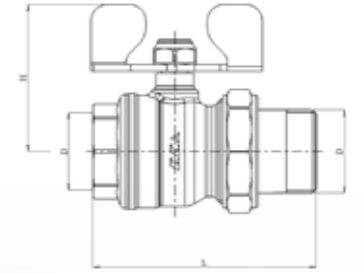


## BALL VALVE, W/UNION, BUTTERFLY HANDWHEEL

Nickel Plated

Code	Color	D	H	L	Inbox Qty
102122205*	Red	1"	53	89	20
102122347*	Blue	1"	53	89	20

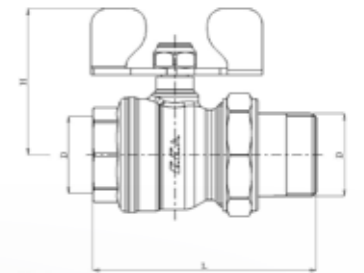
- PN 16
- Max. Operating Temperature: +80°C
- Max. Operating Pressure: 10 bar



## BALL VALVE, W/UNION, BUTTERFLY HANDWHEEL

Code	Color	D	H	L	Inbox Qty
601027412	Red	1"	53	89	20
601027413	Blue	1"	53	89	20

- PN 16
- Max. Operating Temperature: +80°C
- Max. Operating Pressure: 10 bar

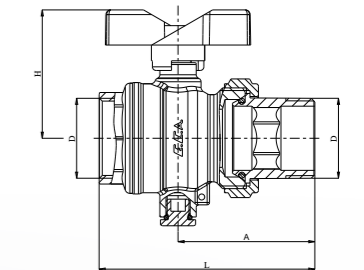


## BALL VALVE WITH THERMOCOUPLE OUTLET

Nickel Plated

Code	D	Color	L	A	H	Inbox Qty
602122157	1"	Red	89	56,5	53	20
601027416	1"	Red	89	56,5	53	20

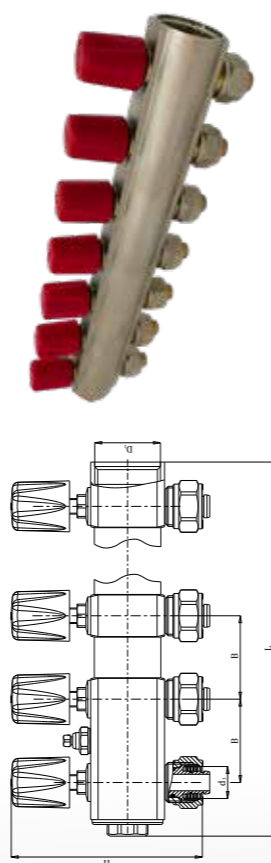
- PN 16
- Max. Operating Temperature: +80°C
- Max. Operating Pressure: 10 bar



MANIFOLD WITH MANUAL FLOW ADJUSTMENT HANDWHEEL

Code	Code	Number of Outlet	D1	d1	L	B	H	Inbox Qty
602120695	Red	2	1"	Ø16	93,5	43	98,5	5
602120694	Blue	3			136,5			5
602120680	Red				4			179,5
602120669	Blue	5						222,5
602120681	Red				6			265,5
602120670	Blue	7						308,5
602120682	Red				8			351,5
602120671	Blue	9						394,5
602120683	Red				10			437,5
602120672	Blue	11						480,5
602120684	Red				12			523,5
602120673	Blue	13						566,5
602120685	Red							
602120674	Blue							
602120686	Red							
602120675	Blue							
602120687	Red							
602120676	Blue							
602120688	Red							
602120677	Blue							
602120689	Red							
602120678	Blue							
602120690	Red							
602120679	Blue							

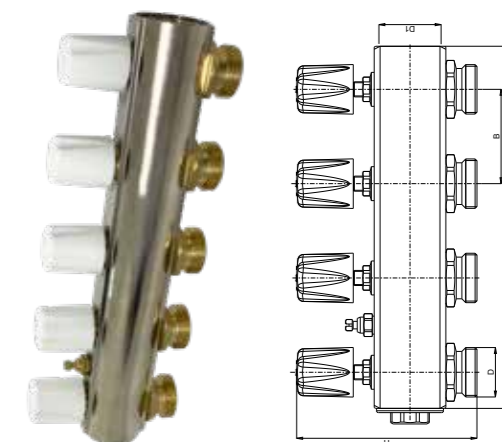
- Manifold are equipped with purger.
- Outlet connection options for Ø17 x 2 mm pex pipe and 15 x 2 mm copper pipe
- Manifolds are nickel plated



MANIFOLD WITH MANUAL FLOW ADJUSTMENT HANDWHEEL, EUROCONE CONNECTION

Code	Number of Outlet	D	d	L	B	H	Inbox Qty
802120071	2	1"	3/4"	92	50	95,6	5
802120072	3			142			5
802120073	4			192			9
802120074	5			242			12
802120075	6			292			6
802120076	7			342			6
802120077	8			392			8
802120078	9			442			8
802120079	10			492			4
802120080	11			542			4
6802120081	12			592			4
802120082	13			642			4

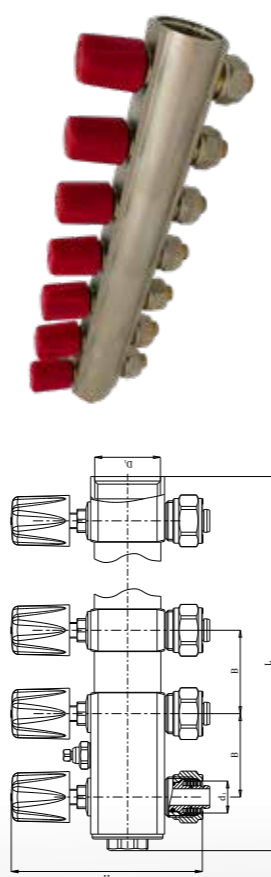
- Manifold are equipped with purger.
- Outlet connection options for Ø17 x 2 mm pex pipe and 15 x 2 mm copper pipe
- Manifolds are nickel plated
- Outlet Eurocone Connection



MANIFOLD WITH MANUAL FLOW ADJUSTMENT HANDWHEEL

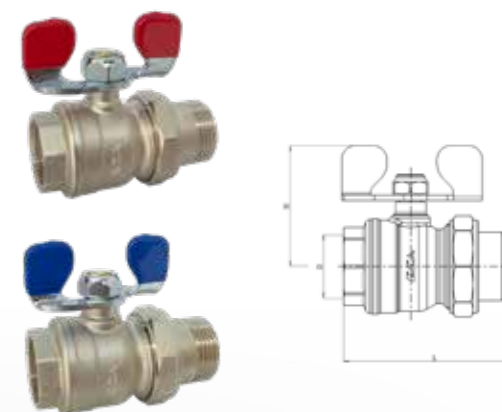
Code	Code	Number of Outlet	D1	d1	L	B	H	Inbox Qty
602120608	Red	7	1 1/4"	Ø16	296.5	43	98,5	4
602120601	Blue				8			336.5
602120609	Red	9						376.5
602120602	Blue				10			416.5
602120610	Red	11						456.5
602120603	Blue				12			496.5
602120611	Red	13						536.5
602120604	Blue							
602120612	Red							
602120605	Blue							
602120613	Red							
602120606	Blue							
602120614	Red							
602120607	Blue							

- Manifold are equipped with purger.
- Outlet connection options for Ø17 x 2 mm pex pipe and 15 x 2 mm copper pipe
- Manifolds are nickel plated



BALL VALVE, W/UNION, W/RED BUTTERFLY HANDWHEEL

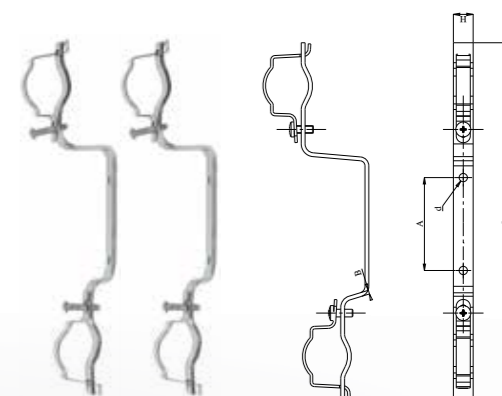
Nickel Plated							
Code	D	Color	D	d	L	H	Inbox Qty
602122180	1 1/4"	Red	54.4	Ø32	125	58,5	12
602122181	1 1/4"	Blue	54.4	Ø32	125	58,5	12



CONSOLE FOR 1" MANIFOLDS

Console Set						
Code	D	L	A	B	H	Inbox Qty
610212001	Ø6,5	290	76	3	15	10

- Wall fixing screws is not included



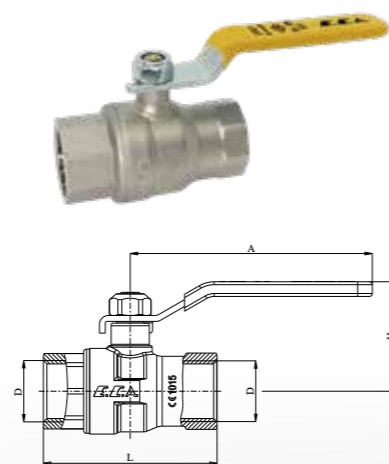


## NATURAL GAS BALL VALVES, MOP 0.5

Suitable for Internal Building Usage for Natural Gas Installation

Code	D	L	A	H	Inbox Qty
602122151	1/2"	59,2	82,5	37,3	60
602122152	3/4"	68,2	82,5	40,7	48
602122153	1"	83	100	47,5	30
602122154	1 1/4"	97	154,5	64,3	16
602122155	1 1/2"	103	154,5	69,3	9
602122156	2"	127	185	79,5	5

- Pass the 30 min. perform test due to EN 331
- Suitable for internal building usage for natural gas installation
- EN331, System 1 CE
- -20 °C, +60 °C

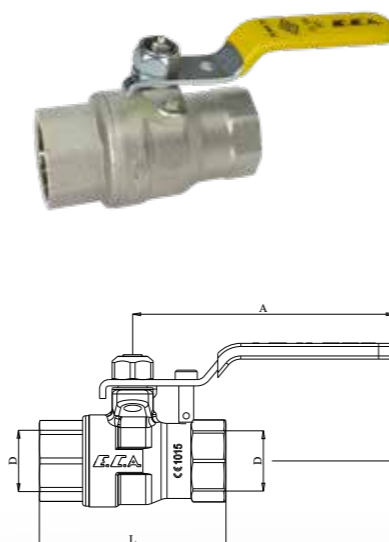


## NATURAL GAS BALL VALVES WITH LOCK PIN, MOP 0.5

Suitable for Internal Building Usage for Natural Gas Installation

Code	D	L	A	H	Inbox Qty
602122175	1/2"	59,2	83	37,3	40
602122176	3/4"	68,2	83	40,7	30
602122177	1"	83	100	47,5	20

- Pass the 30 min. perform test due to EN 331
- Suitable for internal building usage for natural gas installation
- EN331, System 1 CE
- -20 °C, +60 °C

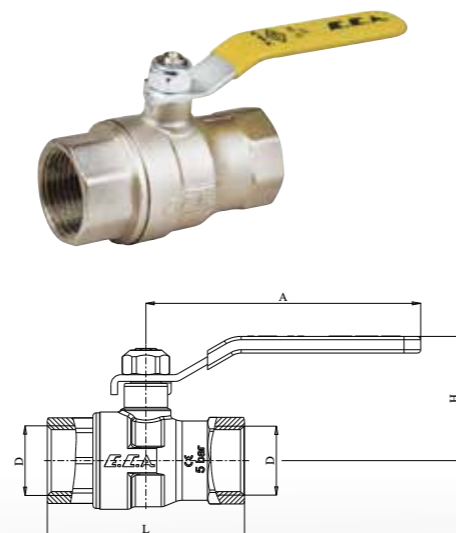


## NATURAL GAS BALL VALVES, MOP 5

Suitable for Internal Building Usage for Natural Gas Installation

Code	D	L	A	H	Inbox Qty
602122205	1/2"	59,2	82,5	37,3	60
602122206	3/4"	68,2	82,5	40,7	48
602122207	1"	83	100	47,5	30
602122208	1 1/4"	97	154,5	64,3	16
602122209	1 1/2"	103	154,5	69,3	9
602122210	2"	127	185	79,5	5

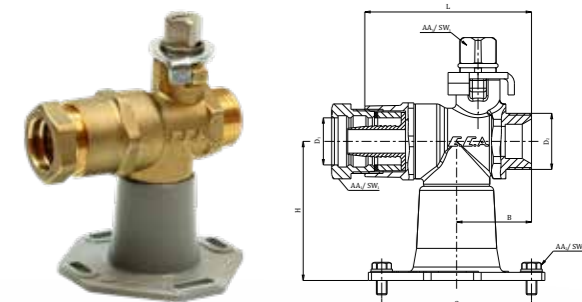
- Suitable for internal building usage for natural gas installation
- EN331, System 3
- -20 °C, +60 °C



## CAL 15

Code	D1	D2	H	B	L	C	AA <sub>1</sub> /SW <sub>1</sub>	AA <sub>2</sub> /SW <sub>2</sub>	AA <sub>3</sub> /SW <sub>3</sub>	Inbox Qty
601017177	PE20	3/4"	65	35	78	70	32	8	14	14

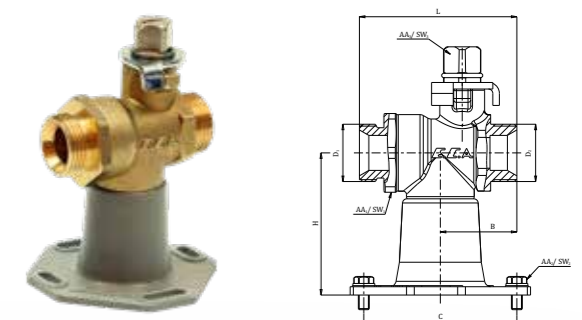
- Working Pressure: 5 bar
- Working Temperature: -20°C, +60°C
- Relevant Standard: TS EN 331



## CAL 15E

Code	D1	D2	H	B	L	C	AA <sub>1</sub> /SW <sub>1</sub>	AA <sub>2</sub> /SW <sub>2</sub>	AA <sub>3</sub> /SW <sub>3</sub>	Inbox Qty
601017178	3/4"	3/4"	65	35	72	70	36	8	14	14

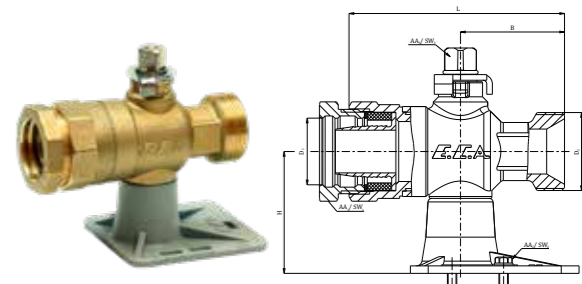
- Working Pressure: 5 bar
- Working Temperature: -20°C, +60°C
- Relevant Standard: TS EN 331



## CAL 25

Code	D1	D2	H	B	L	AA <sub>1</sub> /SW <sub>1</sub>	AA <sub>2</sub> /SW <sub>2</sub>	AA <sub>3</sub> /SW <sub>3</sub>	Inbox Qty
601017179	PE32	1 1/4"	65	55,5	115	50	8	14	8

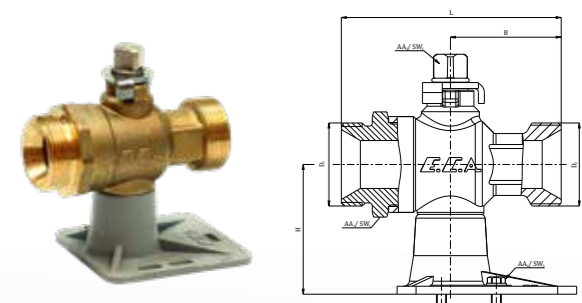
- Working Pressure: 5 bar
- Working Temperature: -20°C, +60°C
- Relevant Standard: TS EN 331



## CAL 25E

Code	D1	D2	H	B	L	AA <sub>1</sub> /SW <sub>1</sub>	AA <sub>2</sub> /SW <sub>2</sub>	AA <sub>3</sub> /SW <sub>3</sub>	Inbox Qty
601017180	1 1/4"	1 1/4"	65	55,5	110	50	8	14	8

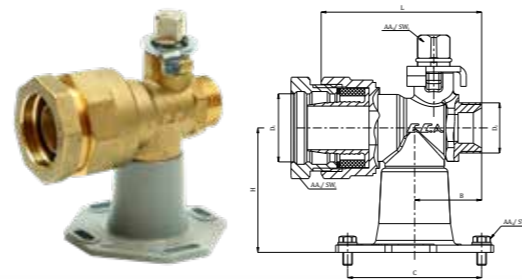
- Working Pressure: 5 bar
- Working Temperature: -20°C, +60°C
- Relevant Standard: TS EN 331



## CAL15/32

Code	D1	D2	H	B	L	C	AA <sub>1</sub> /SW <sub>1</sub>	AA <sub>2</sub> /SW <sub>2</sub>	AA <sub>3</sub> /SW <sub>3</sub>	Inbox Qty
601017433	PE32	3/4"	65	35	83,5	70	50	8	14	12

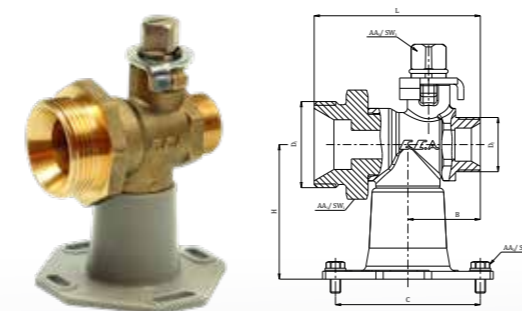
- Working Pressure: 5 bar
- Working Temperature: -20°C, +60°C
- Relevant Standard: TS EN 331



## CAL15/32E

Code	D1	D2	H	B	L	C	AA <sub>1</sub> /SW <sub>1</sub>	AA <sub>2</sub> /SW <sub>2</sub>	AA <sub>3</sub> /SW <sub>3</sub>	Inbox Qty
601017434	1 1/4"	3/4"	65	35	78	70	50	8	14	14

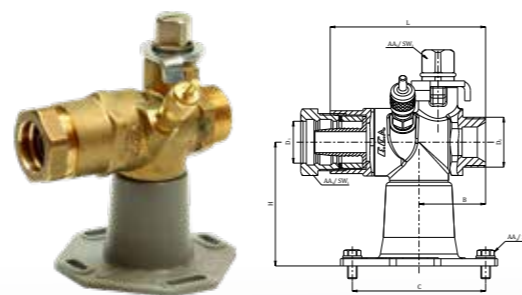
- Working Pressure: 5 bar
- Working Temperature: -20°C, +60°C
- Relevant Standard: TS EN 331



## CAL 15 WITH CHARGING UNIT

Code	D1	D2	H	B	L	C	AA <sub>1</sub> /SW <sub>1</sub>	AA <sub>2</sub> /SW <sub>2</sub>	AA <sub>3</sub> /SW <sub>3</sub>	Inbox Qty
601017370	PE20	3/4"	65	35	81,6	70	32	8	14	14

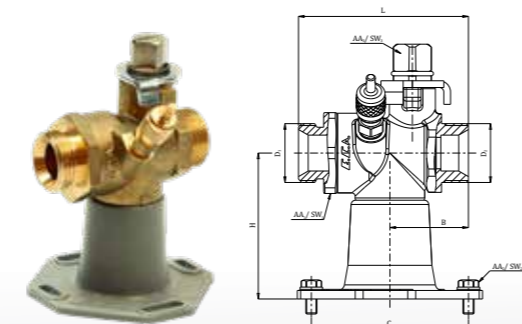
- Working Pressure: 5 bar
- Working Temperature: -20°C, +60°C
- Relevant Standard: TS EN 331



## CAL15/32E WITH CHARGING UNIT

Code	D1	D2	H	B	L	C	AA <sub>1</sub> /SW <sub>1</sub>	AA <sub>2</sub> /SW <sub>2</sub>	AA <sub>3</sub> /SW <sub>3</sub>	Inbox Qty
601017371	3/4"	3/4"	65	35	75,7	70	36	8	14	12

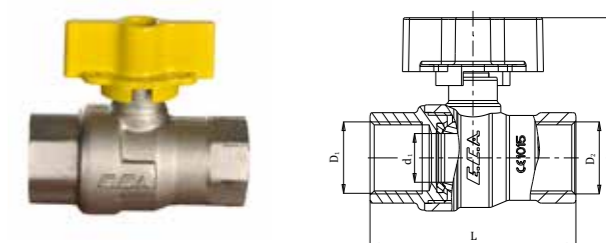
- Working Pressure: 5 bar
- Working Temperature: -20°C, +60°C
- Relevant Standard: TS EN 331



## Valve With Butterfly Handle

Code	D	Nominal Diameter	d <sub>1</sub>	H	L	Inbox Qty
602122146	1/2" ISO 7-1	DN15	Ø14	43,5	59	60
602122147	3/4" ISO 7-1	DN20	Ø19	48	68	48
602122148	1" ISO 7-1	DN25	Ø24	53	83	30

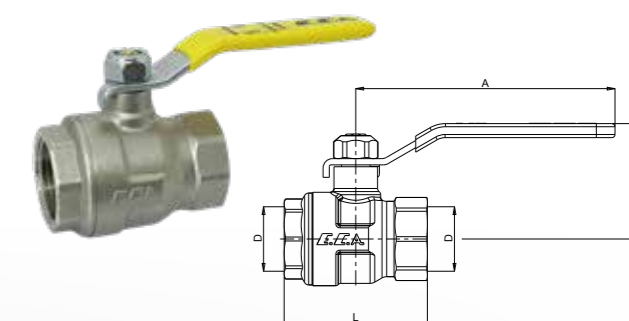
- Working Temperature: -20°C, +60°C
- Relevant Standard: TS EN 331 Combustible Gas



## NATURAL GAS BALL VALVES, PN25

Code	D	d	L	A	H	Inbox Qty
602122211	1/2"	Ø14	46	83	37,3	60
602122212	3/4"	Ø19	54	83	40,7	48
602122213	1"	Ø24	67	100	47,5	30
602122214	1 1/4"	Ø32	78	154,5	64,3	16
602122215	1 1/2"	Ø40	90	154,5	70,2	9
602122216	2"	Ø50	108	185	80,6	5

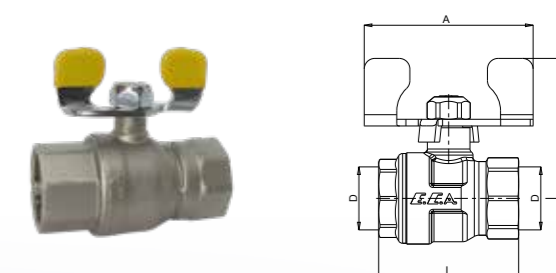
- Operating Temperature Range: -20°C, +60°C



## NATURAL GAS BALL VALVES WITH BUTTERFLY HANDWHEEL, PN25

Code	D	d	L	a	H	Inbox Qty
602122275	1/2"	Ø14	46	56	37,3	24
602122276	3/4"	Ø19	54	56	40,7	12
602122277	1"	Ø24	67	65	58	15

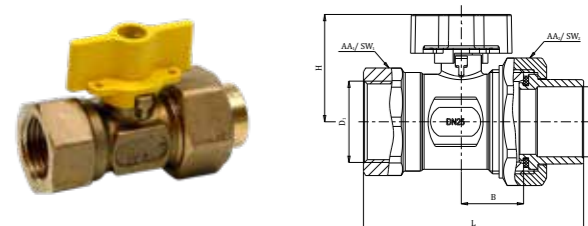
- Working Temperature: -20°C, +60°C



## NATURAL GAS BALL VALVES

Code	D <sub>1</sub>	D <sub>2</sub>	H	L	B	AA <sub>1</sub> /SW <sub>1</sub>	AA <sub>2</sub> /SW <sub>2</sub>	Inbox Qty
601017107	1/2" ISO 7-1	Ø15	34	66	20	27	30	60
601017226	3/4" ISO 7-1	Ø22	38	78	24	32	37	40
601017368	1" ISO 7-1	Ø28	43	88	25	41	46	30

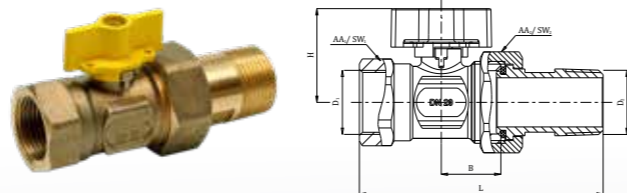
- Working Pressure: 5 bar
- Working Temperature: -20°C, +60°C



## NATURAL GAS BALL VALVES

Code	D <sub>1</sub>	D <sub>2</sub>	H	L	B	AA <sub>1</sub> /SW <sub>1</sub>	AA <sub>2</sub> /SW <sub>2</sub>	Inbox Qty
601017055	1/2" ISO 7-1	1/2" ISO 7-1	34	86	20	27	30	50
601017128	3/4" ISO 7-1	3/4" ISO 7-1	38	98	24	32	37	30
601017369	1" ISO 7-1	1" ISO 7-1	43	108	25	41	46	25

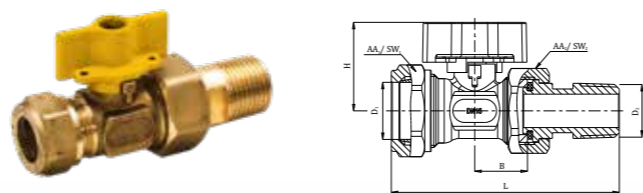
- Working Pressure: 5 bar
- Working Temperature: -20°C, +60°C



## NATURAL GAS BALL VALVES

Code	D <sub>1</sub>	D <sub>2</sub>	H	L	B	AA <sub>1</sub> /SW <sub>1</sub>	AA <sub>2</sub> /SW <sub>2</sub>	Inbox Qty
601017054	15	Rp 1/2" ISO 7-1	34	78	20	27	30	50
601017124	22	Rp 3/4" ISO 7-1	38	79	24	32	37	60
601017367	22	Rp 1" ISO 7-1	43	101	25	41	46	30

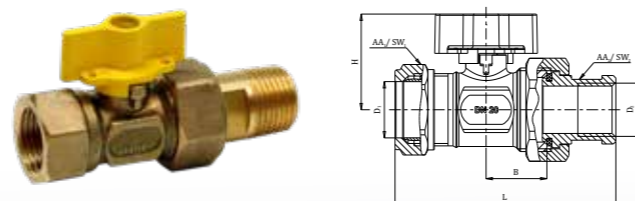
- Working Pressure: 5 bar
- Working Temperature: -20°C, +60°C



## NATURAL GAS BALL VALVES

Code	D <sub>1</sub>	D <sub>2</sub>	H	L	B	AA <sub>1</sub> /SW <sub>1</sub>	AA <sub>2</sub> /SW <sub>2</sub>	Inbox Qty
601017123	2	Rp 1/2" ISO 7-1	38	87	24	32	24	40

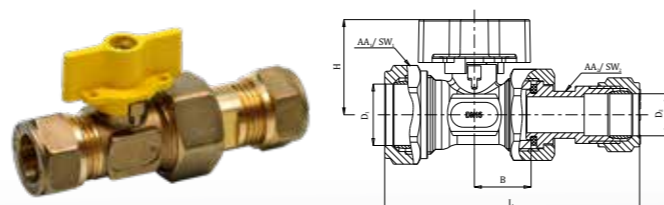
- Working Pressure: 5 bar
- Working Temperature: -20°C, +60°C



## NATURAL GAS BALL VALVES

Code	D <sub>1</sub>	D <sub>2</sub>	H	L	B	AA <sub>1</sub> /SW <sub>1</sub>	AA <sub>2</sub> /SW <sub>2</sub>	Inbox Qty
601017053	Ø15	Ø15	34	91	20	28	17	50
601017125	Ø22	Ø15	34	92.5	20	32	17	40
601017336	Ø22	Ø38	38	104	20	32	24	30

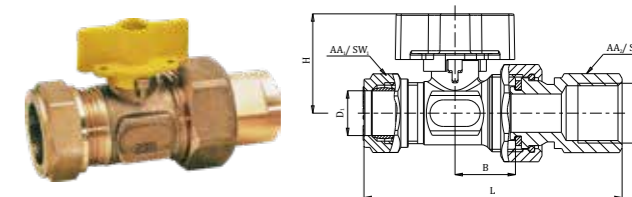
- Working Pressure: 5 bar
- Working Temperature: -20°C, +60°C



## NATURAL GAS BALL VALVES

Code	D <sub>1</sub>	D <sub>2</sub>	H	L	B	AA <sub>1</sub> /SW <sub>1</sub>	AA <sub>2</sub> /SW <sub>2</sub>	Inbox Qty
601017056	Ø15	1/2" ISO 7-1	34	87.5	20	24	24	50

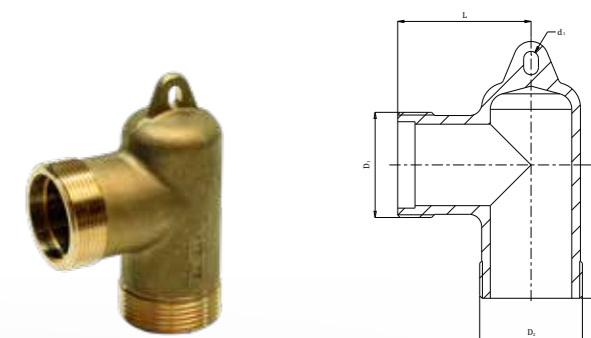
- Working Pressure: 5 bar
- Working Temperature: -20°C, +60°C



## ELBOW FOR S700 SERVICE BOX

Code	D <sub>1</sub>	D <sub>2</sub>	H	L	B	AA <sub>1</sub> /SW <sub>1</sub>	AA <sub>2</sub> /SW <sub>2</sub>	Inbox Qty
610620150	15	Rp 1/2" ISO 7-1	34	78	20	27	30	20
610620159	22	Rp 3/4" ISO 7-1	38	79	24	32	37	15

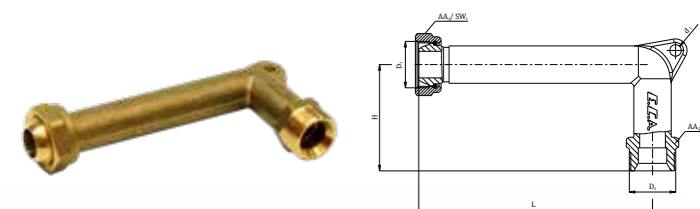
- Working Pressure: 5 bar
- Working Temperature: -20°C, +60°C



## ELBOW FOR S200 SERVICE BOX

Code	D <sub>1</sub>	D <sub>2</sub>	H	L	AA <sub>1</sub> /SW <sub>1</sub>	AA <sub>2</sub> /SW <sub>2</sub>	Inbox Qty
602299017	Ø6,5	3/4"	60	132	32	27	50
602299237	Ø6,5	3/4"	60	81	32	27	40
602299560	Ø6,5	3/4"	60	45	32	27	30

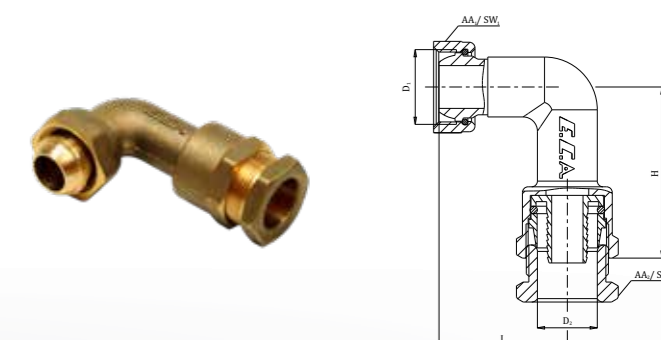
- Working Pressure: 5 bar
- Working Temperature: -20°C, +60°C



## ELBOW FOR CES200 SERVICE BOX

Code	D <sub>1</sub>	D <sub>2</sub>	H	L	AA <sub>1</sub> /SW <sub>1</sub>	AA <sub>2</sub> /SW <sub>2</sub>	Inbox Qty
602299018	3/4"	Ø20	60	45	32	32	20

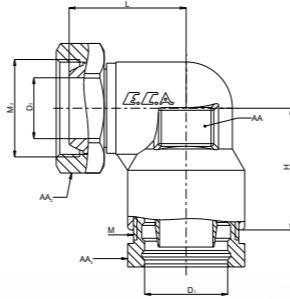
- Working Pressure: 5 bar
- Working Temperature: -20°C, +60°C



## ELBOW FOR CES200 SERVICE BOX

Code	D <sub>1</sub>	D <sub>2</sub>	H	L	AA	AA <sub>2</sub>	AA <sub>3</sub>	M	M <sub>2</sub>	Inbox Qty
602299368	(Ø) 32 PE for pipe	Ø26	52	50	41	50	50	45X2.3	1 1/4"	20

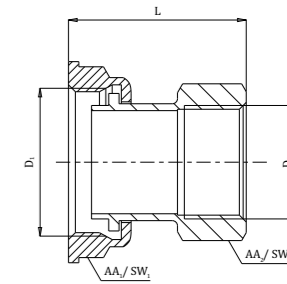
- Working Pressure: 5 bar
- Working Temperature: -20°C, +60°C



## CONNECTION UNION

Code	D <sub>1</sub>	D <sub>2</sub>	L	AA <sub>1</sub> /SW <sub>1</sub>	AA <sub>2</sub> /SW <sub>2</sub>	Inbox Qty
602199818	W 1 11/16" x 1/14"	1"	51	50	41	20
602299608	2"	2"	77	70	67	12

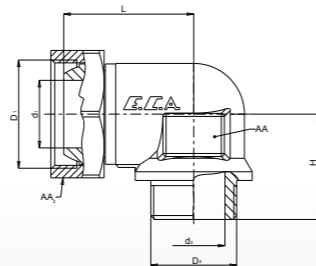
- Working Pressure: 5 bar
- Working Temperature: -20°C, +60°C



## ELBOW FOR SERVICE BOX

Code	D <sub>1</sub>	D <sub>2</sub>	d <sub>1</sub> (Ø)	d <sub>2</sub> (Ø)	H	L	AA	AA <sub>2</sub>	Inbox Qty
602299369	1 1/4"	1"	26	24	40,5	50	41	50	20

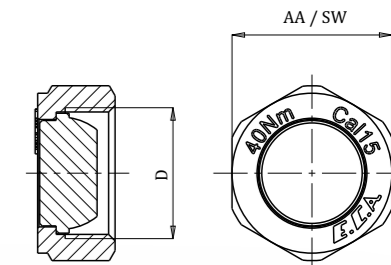
- Working Pressure: 5 bar
- Working Temperature: -20°C, +60°C



## END CAP UNIT FOR CAL 15

Code	D	AA/SW	Inbox Qty
601002015	3/4"	32	100

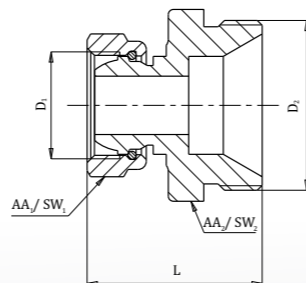
- Working Pressure: 5 bar
- Working Temperature: -20°C, +60°C



## CONNECTION UNION

Code	D <sub>1</sub>	D <sub>2</sub>	L	AA <sub>1</sub> /SW <sub>1</sub>	AA <sub>2</sub> /SW <sub>2</sub>	Inbox Qty
602299281	3/4"	1 1/4"	43	32	42	30

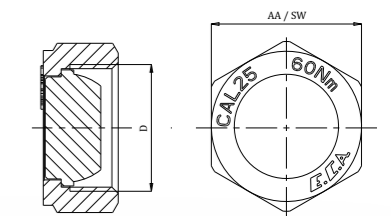
- Working Pressure: 5 bar
- Working Temperature: -20°C, +60°C



## END CAP UNIT FOR CAL 25

Code	D	AA/SW	Inbox Qty
601002016	1 1/4"	50	50

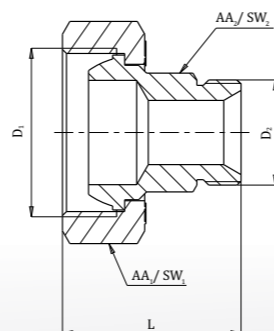
- Working Pressure: 5 bar
- Working Temperature: -20°C, +60°C



## CONNECTION UNION

Code	D <sub>1</sub>	D <sub>2</sub>	L	AA <sub>1</sub> /SW <sub>1</sub>	AA <sub>2</sub> /SW <sub>2</sub>	Inbox Qty
602299238	1 1/4"	3/4"	44,5	50	27	30

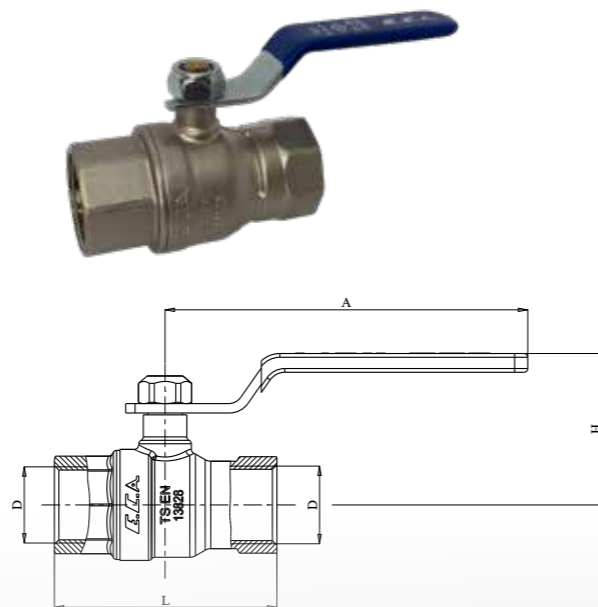
- Working Pressure: 5 bar
- Working Temperature: -20°C, +60°C



**BALL VALVES FOR POTABLE WATER  
FEMALE x FEMALE - PN10**

Code	D	L	A	H	Inbox Qty
602122168	1/2"	59,3	96,7	40,4	60
602122169	3/4"	67,1	96,7	43,5	48
602122170	1"	83	100	53	30
602122182	1 1/4"	96.1	154.5	64.3	16
602122183	1 1/2"	109	154.5	71.25	9
602122184	2"	129	185	81.65	5

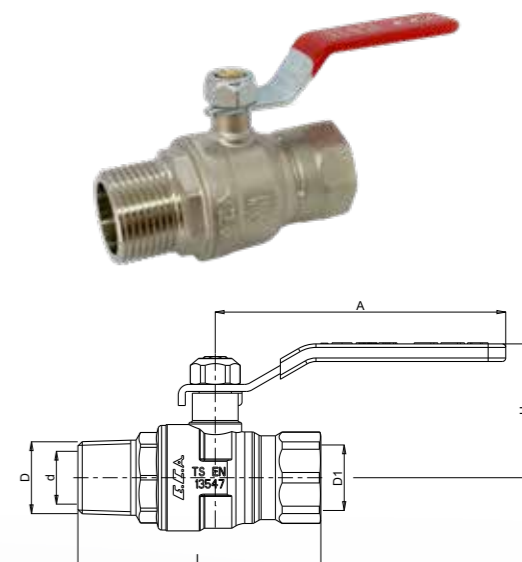
- TS EN 13828
- Operating Temperature Range: From -30°C to +80°C



**INDUSTRIAL TYPE BALL VALVES  
FEMALE & MALE - PN25**

Code	Size	d	L	A	H	Inbox Qty
602122237	1/2"	Ø10	44	83	35,3	40
602122238	3/4"	Ø11	46	83	36	30
602122239	1"	Ø14	50	83	37	20
602122240	1 1/4"	Ø19	58	83	40,5	12
602122241	1 1/2"	Ø24	71	100	46,5	6
602122242	2"	Ø24	71	100	46,5	4

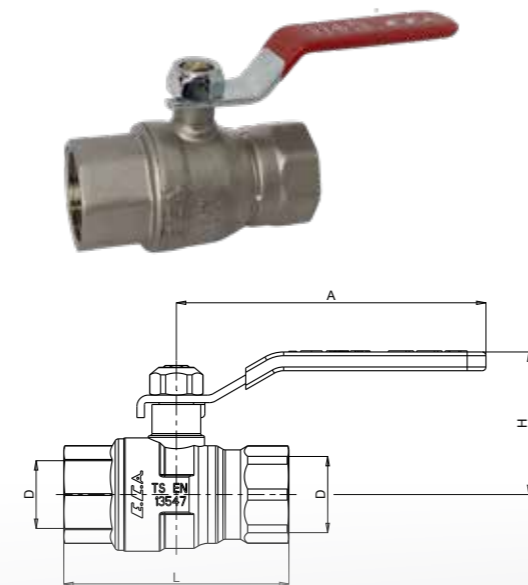
- TS CEN TS 13547
- Operating Temperature Range: From -30°C to +80°C



**INDUSTRIAL TYPE BALL VALVES  
FEMALE x FEMALE - PN25**

Code	Size	L	A	H	Inbox Qty
602122187	1/2"	59,3	96,65	40,35	60
602122188	3/4"	67,1	96,65	43,6	48
602122189	1"	83	100,3	53,3	30
602122202	1 1/4"	96.1	154.5	64.3	16
602122203	1 1/2"	109	154.5	71.25	9
602122204	2"	129	185	81.65	5
602122235	2 1/2"	150,6	249,3	112,8	2
602122236	3"	165	249,3	123,8	1

- TS EN 13828
- Operating Temperature Range: From -30°C to +80°C



**INDUSTRIAL TYPE BALL VALVES, FEMALE x MALE - PN25**

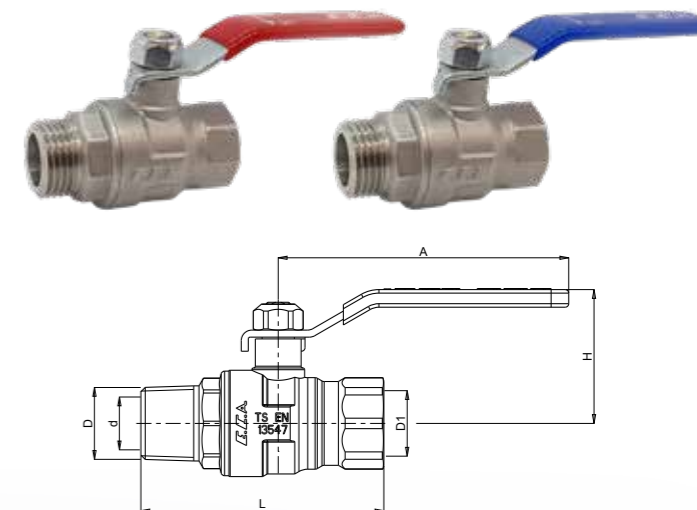
RED HANDWHEEL

Code	Size	d	L	A	H	Inbox Qty
602122278	1/2"	Ø14	56.5	83	37	40
602122279	3/4"	Ø20	66	83	41	30
602122280	1"	Ø25	76.4	100	47.5	20

BLUE HANDWHEEL

Code	Size	d	L	A	H	Inbox Qty
602122309	1/2"	Ø14	56.5	83	37	24
602122310	3/4"	Ø20	66	83	41	12
602122311	1"	Ø25	76.4	100	47.5	15

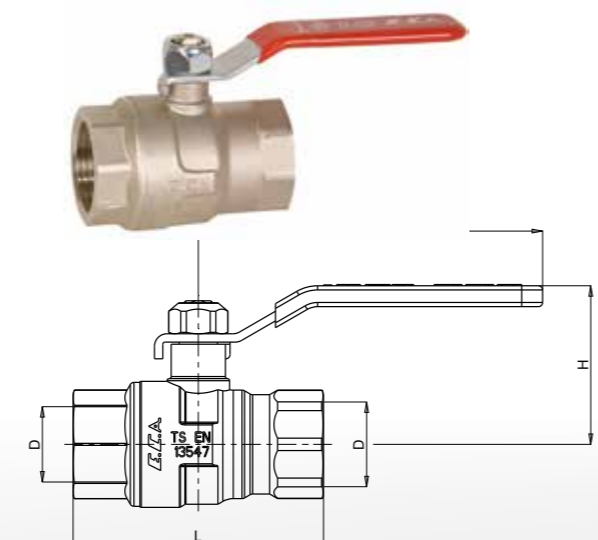
- Operating Temperature Range: From -30°C to +80°C



**INDUSTRIAL TYPE BALL VALVES  
FEMALE x FEMALE - PN40**

Code	Size	d	L	A	H	Inbox Qty
602122228	1/2"	Ø15	60	83	38	60
602122229	3/4"	Ø20	68,5	83	41,2	48
602122230	1"	Ø25	83	100	47,5	30
602122231	1 1/4"	Ø32	96,1	154,5	64,3	16
602122232	1 1/2"	Ø40	109	154,5	71,25	9

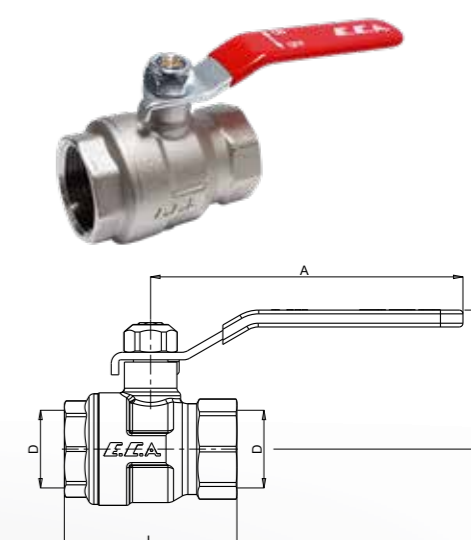
- TS CEN TS 13547
- Operating Temperature Range: From -30°C to +80°C



**INDUSTRIAL TYPE BALL VALVES  
FEMALE x FEMALE - PN25**

Code	Size	d	L	A	H	Inbox Qty
602122217	1/2"	Ø14	46	83	37	60
602122218	3/4"	Ø19	54	83	40	48
602122219	1"	Ø24	67	100	47.5	30
602122220	1 1/4"	Ø32	78,4	154,5	64,3	16
602122221	1 1/2"	Ø40	90.1	154.5	70,25	9
602122222	2"	Ø50	108	185	80.65	5

- Operating Temperature Range: From -30°C to +80°C



INDUSTRIAL TYPE BALL VALVES, FEMALE x MALE - PN25

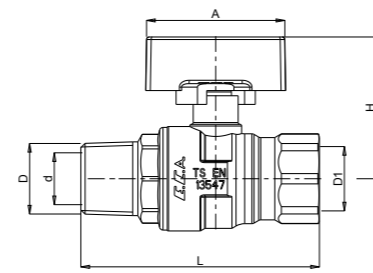
RED HANDWHEEL

Code	D	D1	d	L	A	H	Inbox Qty
602122243	1/2"	1/2"	Ø15	69	40	41	40
602122245	3/4"	3/4"	Ø20	77,5	60	48,7	30
602122247	1"	1"	Ø25	93	60	53	20

BLUE HANDWHEEL

Code	D	D1	d	L	A	H	Inbox Qty
602122244	1/2"	1/2"	Ø15	69	40	41	40
602122246	3/4"	3/4"	Ø20	77,5	60	48,7	30
602122248	1"	1"	Ø25	93	60	53	20

- Max. Operating Temperature: +80°C
- Max. Operating Pressure: 25 bar



INDUSTRIAL TYPE BALL VALVES, FEMALE x FEMALE - PN25

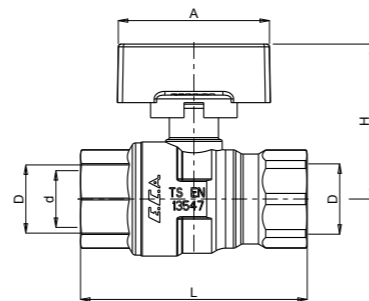
RED HANDWHEEL

Code	D	D1	d	L	A	H	Inbox Qty
602122249	1/2"	1/2"	Ø15	60	40	41	60
602122251	3/4"	3/4"	Ø20	68,5	60	48,7	48
602122253	1"	1"	Ø25	83	60	53	30

BLUE HANDWHEEL

Code	D	D1	d	L	A	H	Inbox Qty
602122250	1/2"	1/2"	Ø15	60	40	41	60
602122252	3/4"	3/4"	Ø20	68,5	60	48,7	48
602122254	1"	1"	Ø25	83	60	53	30

- Max. Operating Temperature: +80°C
- Max. Operating Pressure: 25 bar



BALL VALVE, W/UNION, W

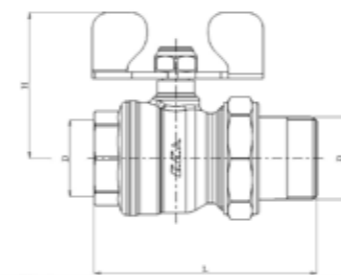
NICKEL PLATED, RED HANDLE

Code	D	d	L	A	H	Inbox Qty
602122359	1/2"	Ø15	76,5	46,5	40	
602122363	3/4"	Ø20	90,8	49,7	30	
102122205	1"	Ø25	89	53	20	
602122180	1 1/4"	Ø32	125	58,5	12	

WITHOUT NICKEL PLATED, RED HANDLE

Code	D	d	L	A	H	Inbox Qty
601027412	1"	Ø20	77,5	60	48,7	20

- Max. Operating Temperature: +80°C
- Max. Operating Pressure: 25 bar



BALL VALVE, W/UNION, W, RED BUTTERFLY HANDWHEEL

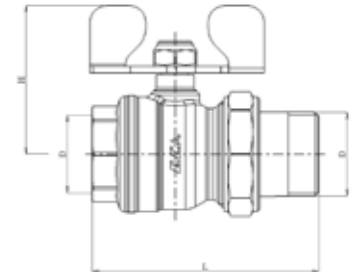
NICKEL PLATED, BLUE HANDLE

Code	D	d	L	H	Inbox Qty
602122360	1/2"	Ø15	76,5	46,5	40
602122364	3/4"	Ø20	90,8	49,7	30
102122347	1"	Ø25	89	53	20
602122181	1 1/4"	Ø32	125	58,5	12

WITHOUT NICKEL PLATED, BLUE HANDLE

Code	D	d	L	A	H	Inbox Qty
601027413	1"	Ø20	77,5	60	48,7	20

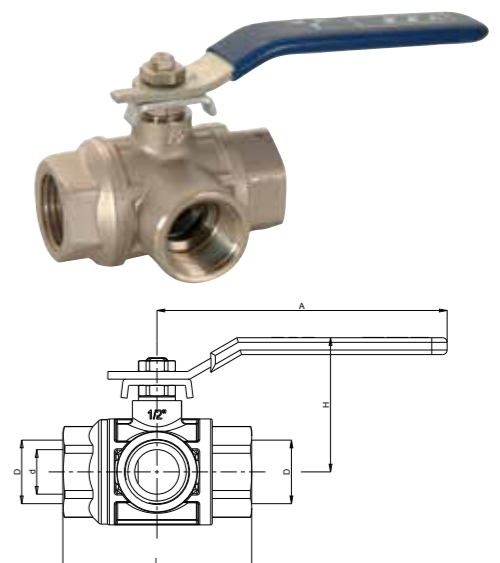
- Max. Operating Temperature: +80°C
- Max. Operating Pressure: 25 bar



THREE WAY BALL VALVES

Code	D	d	L	A	H	Inbox Qty
102122131	1/4"	10	50	95	41,3	24
102122132	3/8"	11	52	95	42,2	24
102122133	1/2"	14,5	62	95	44,1	20
102122134	3/4"	19	71	115	52,7	10
102122135	1"	24	83	115	56,7	15

- Full Bore
- Rotate 180°
- PN25
- 3 position flow
- Line Separation

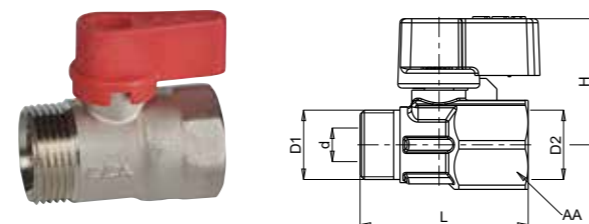


MINI BALL VALVE, FEMALE x MALE

RED HANDLE

Code	D1	D2	d	L	H	AA	Inbox Qty
102122027	3/8"		Ø8	40	30	22	150
102122028	1/2"		Ø9	46,3	31,3	25	150
102122029	3/4"		Ø11	50	38	31	75

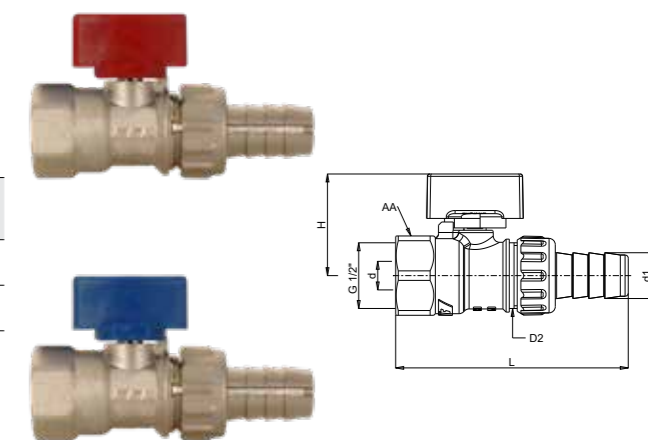
- TSEK
- PN10
- Operating Temperature Range: From -30°C to +80°C
- Plastic L Type Handwheel



DRAIN MINI BALL VALVE WITH HOSE END

Code	D1	D2	Color	d	d1	L	H	AA	Inbox Qty
602122001*	1/2"		Red	Ø9	Ø14,5	73,3	32	25	24
602122009*	1/2"		Blue	Ø9	Ø14,5	73,3	32	25	24

- TSEK
- PN10
- Operating Temperature Range: From -30°C to +80°C
- Plastic, T Type Handwheel

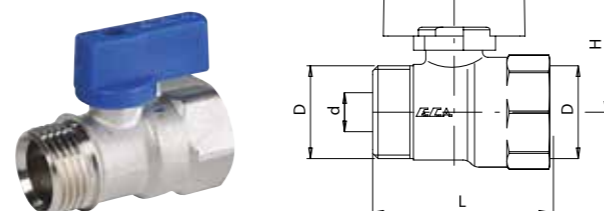


MINI BALL VALVE, FEMALE x MALE

BLUE HANDLE

Code	D	d(Ø)	L	H	AA/SW	Inbox Qty
602122003	1/2"	10	44	32	25	150

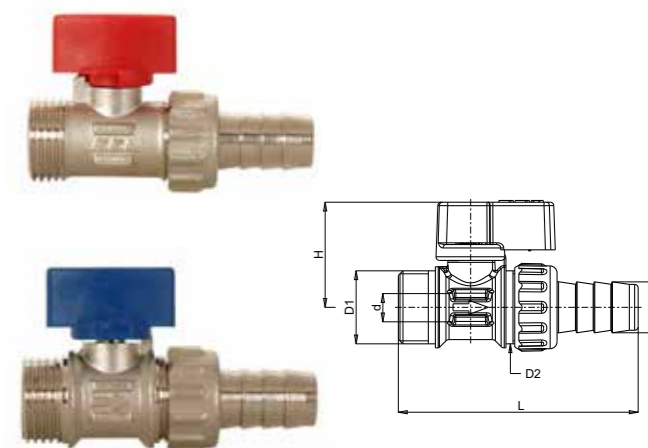
- TSEK
- PN10
- Operating Temperature Range: From -30°C to +80°C
- Plastic L Type Handwheel



DRAIN MINI BALL VALVE WITH HOSE END

Code	D1	D2	Color	d	d1	L	H	Inbox Qty
102122379	1/2"		Red	Ø8	Ø14,5	68	30	30
102122380	1/2"		Blue	Ø8	Ø14,5	68	30	30

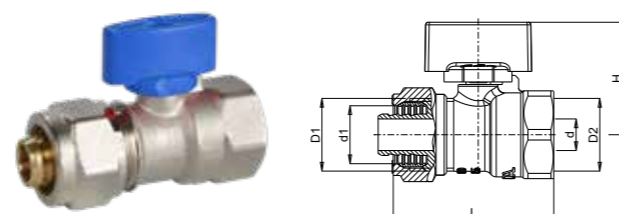
- TSEK
- PN10
- Operating Temperature Range: From -30°C to +80°C
- Plastic, L Type Handwheel



MINI BALL VALVE (SELF-FIXED HOSE END) Female

Code	D1	D2	Color	d	d1	L	H	AA/SW	Inbox Qty
102122031	1/2"		Red	Ø9	Ø16,5	45,7	32	25	30
102122348			Blue	Ø9	Ø16,5	45,7	32	25	30

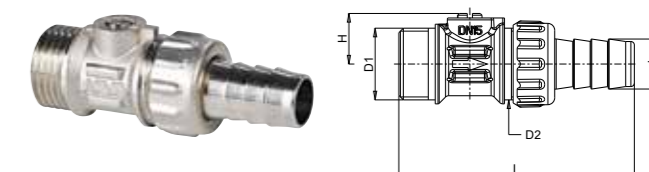
- TSEK
- PN10
- Operating Temperature Range: From -30°C to +80°C
- Plastic T Type Handwheel



DRAIN MINI BALL VALVE WITH HOSE END (SCREWDRIVER SHAFT)

Code	D1	D2	d	L	H	Inbox Qty
602122004	1/2"		Ø14,5	68	14,6	24

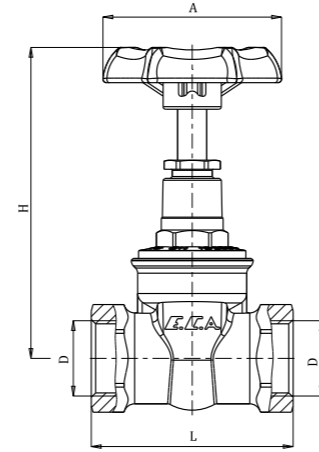
- TSEK
- PN10
- Operating Temperature Range: From -30°C to +80°C
- Plastic, L Type Handwheel



GATE VALVE

Code	D	L	H	A	Inbox Qty
601003019	1/2" - ISO 228	55,5	85	49	30
601003020	3/4" - ISO 228	58	96	60	20
601003021	1" - ISO 228	68	103	60	20
601003022	1 1/4" - ISO 228	78	109	68,5	12
601003023	1 1/2" - ISO 228	80,5	119	68,5	12
601003024	2" - ISO 228	93	148	83	8

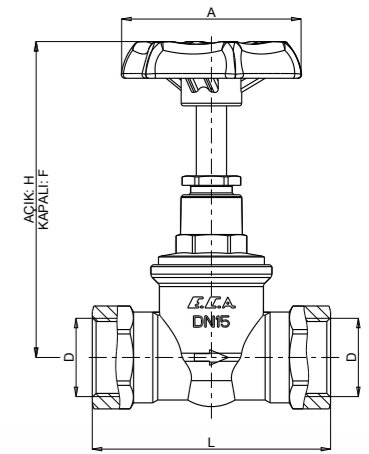
- TS EN 12288
- Plastic Handwheel
- PN 25
- Max. Operating Temperature 90°C



STOP VALVE

Code	D	L	H	A	A	Inbox Qty
601005031	1/2"	58	49	84	77,5	40
601005032	3/4"	63	58	94	84	25
601005033	1"	77	58	104	94	15
601005034	1 1/4"	94	68,4	125	111	12
601005035	1 1/2"	100	82,7	130,7	113,5	8
601005036	2"	123	82,7	148,7	124,7	5

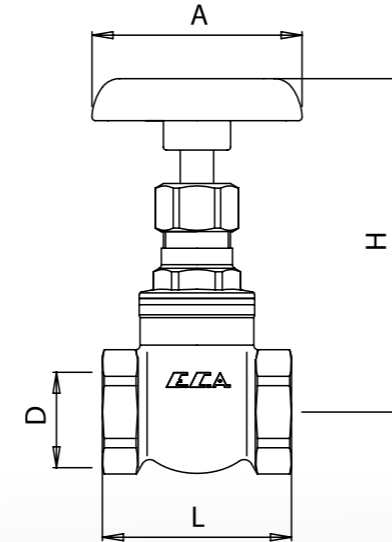
- Special Handwheel
- There is a plastic Drain tap which can be attached both side, coupled on valves
- PN 10
- Max. Operating Temperature 80°C



GATE VALVE

Code	D	L	H	A	Inbox Qty
601003001	1/2"	40	89	50	30
601003002	3/4"	49	97	60	20
601003003	1"	50	106,5	60	20
601003004	1 1/4"	58	117	70	12
601003005	1 1/2"	62	129	70	12
601003006	2"	68	150	80	9
601003015	2 1/2"	78	180,5	110	4
601003016	3"	90	210	110	2
601003017	4"	102	221	130	1

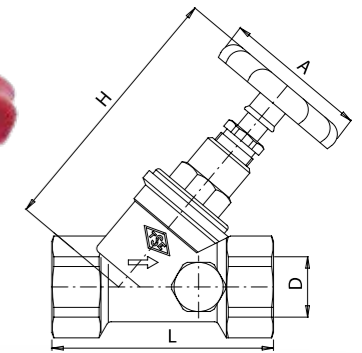
- Plastic Handwheel
- PN 16
- Max. Operating Temperature 90°C



STOP VALVE WITH DRAIN TAP

Code	D	L	A	H	Inbox Qty
601004001	1/2"	57	50	84,5	40
601004002	3/4"	67	60	100	25
601004003	1"	78	60	118	15
601004004	1 1/4"	92	70	137	12
601004005	1 1/2"	102	80	152	8
601004006	2"	122	90	177	5

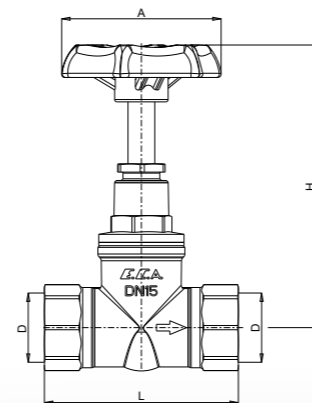
- Special Handwheel
- There is a plastic Drain tap which can be attached both side, coupled on valves
- PN 10
- Max. Operating Temperature 80°C



STOP VALVE

Code	D	L	A	H	Inbox Qty
601005031	1/2"	58	49	84,5	60
601005032	3/4"	65,2	58,2	94	35
601005033	1"	77	58	104	20
601005034	1 1/4"	94	68,4	125	10
601005035	1 1/2"	100	81	130,7	8
601005036	2"	123	81	148,7	6

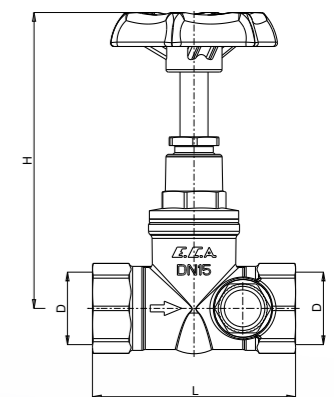
- TS 15 EN1213
- Plastic Handwheel
- PN 10
- Max. Operating Temperature 80°C



STOP VALVE WITH DRAIN TAP

Code	D	L	H	A	Inbox Qty
601005040	1/2"	58	49	84,5	40
601005041	3/4"	65,2	58,2	94	25
601005042	1"	77	58	104	15

- Special Handwheel
- There is a plastic Drain tap which can be attached both side, coupled on valves
- PN 10
- Max. Operating Temperature 80°C

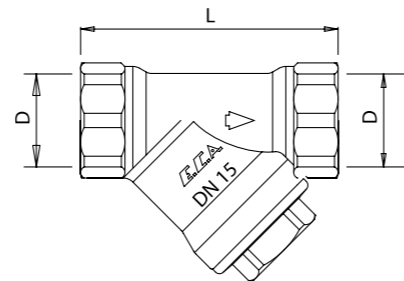




**FILTER (Strainer)**

Code	D	L	Inbox Qty
601010001	1/2"	57	40
601010002	3/4"	69	25
601010003	1"	86,7	14
601010004	1 1/4"	92	8
601010005	1 1/2"	102	5
601010006	2"	122	3

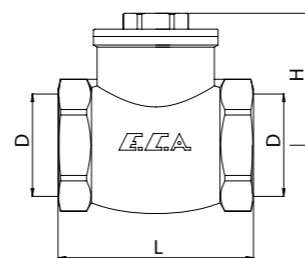
- TSEK
- Operating Pressure: 25 bar
- Operating Temperature Range: From -30°C to +80°C A
- Special Stainless Steel Filter (140 hole/cm<sup>2</sup>)



**SWING CHECK VALVES**

Code	D	L	H	Inbox Qty
101007092	1/2"	46,5	31,5	40
101007093	3/4"	56,5	34,5	20
101007094	1"	63	39	14

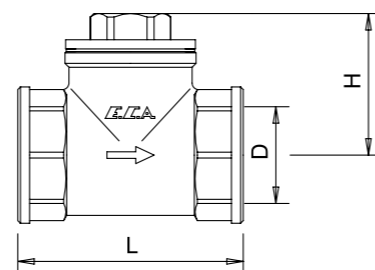
- TS EN 1074-3
- Special design, flap with rubber gasket
- Operating Pressure: 25 bar
- Max. Operating Temperature 80°C



**HORIZONTAL CHECK VALVE**

Code	D	L	H	Inbox Qty
601007022	1/2"	55	32	35
601007023	3/4"	65	36,5	14
601007024	1"	75	39,3	14
601007025	1 1/4"	88	49,8	6
601007026	1 1/2"	98	56,3	10
601007027	2"	116	66	5

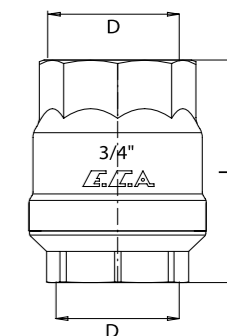
- TS EN 1074-3
- The horizontal check valves must be fixed absolutely horizontally
- Operating Pressure: 25 bar
- Max. Operating Temperature 80°C



**SPRING TYPE CHECK VALVE**

Code	D	L	Inbox Qty
601007007	1/2"	40	20
601007008	3/4"	50	15
601007009	1"	62,5	10
601007010	1 1/4"	67	6
601007011	1 1/2"	77	4
601007012	2"	85	3

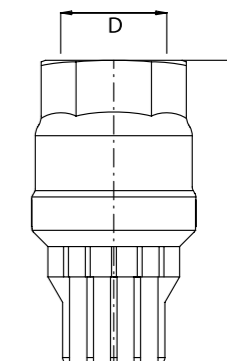
- Special Handwheel
- There is a plastic Drain tap which can be attached both side, coupled on valves
- PN 10
- Max. Operating Temperature 80°C



**WELL TYPE CHECK VALVE**

Code	D	L	Inbox Qty
601007017	3/4"	80	20
601007018	1"	93	15
601007019	1 1/4"	100	15
601007020	1 1/2"	110	8
601007021	2"	120	6

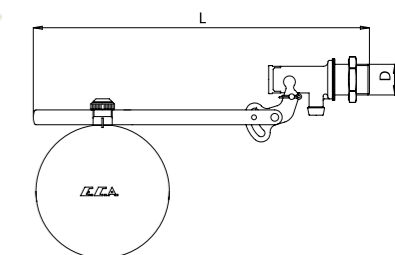
- TS EN 1074-3
- Special clack design
- Inlet has plastic filter
- Operating Pressure: 25 bar
- Max. Operating Temperature 80°C



**FLOATER**

Code	D	L	H	Inbox Qty
101009001	3/8"	348	95	20
101009002	1/2"	335	95	20
101009003	3/4"	375	107,3	10
101009004	1"	375	107,3	10
101009005	1 1/4"	415	96,2	4
101009006	1 1/2"	415	96,2	4
101009007	2"	415	96,2	4

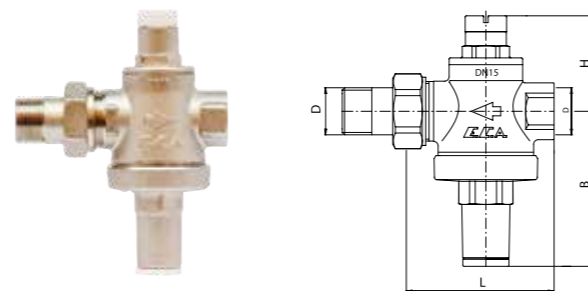
- TS EN 1074-3
- Special design, flap with rubber gasket
- Operating Pressure: 25 bar
- Max. Operating Temperature 80°C



## WATER PRESSURE REDUCING VALVE WITH UNION, FEMALE

Code	D	L	H	A	Inbox Qty
602111007	1/2"	60	68	42	10
102199160	3/4"	60	68	42	10

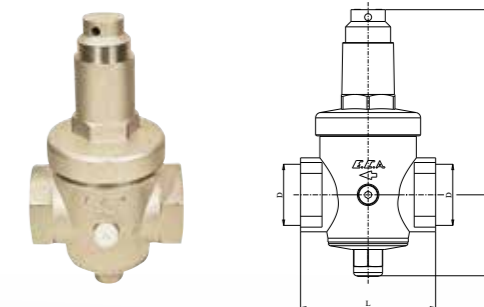
- TS EN 1567
- Operating pressure: 16 bar
- Outlet Make pressure: 1~5 bar
- Factory defaults: 8 bar inlet - 3 bar outlet
- Equalize inlet and outlet pressure, if another pressure level need
- Max. Operating Temperature 80°C



## WATER PRESSURE REDUCING VALVE WITH UNION, FEMALE x FEMALE

Code	D	L	B	H	Inbox Qty
602111018	2"	126	173	76	1

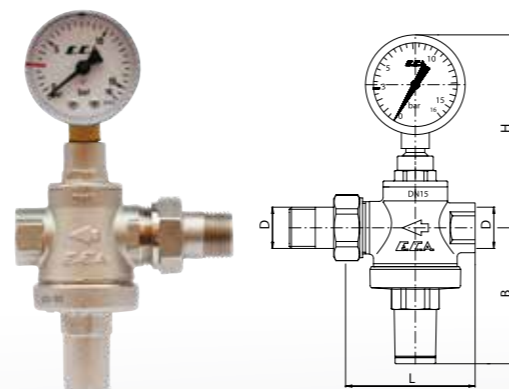
- TS EN 1567
- Operating pressure: 16 bar
- Outlet Make pressure: 1~5 bar
- Factory defaults: 8 bar inlet - 3 bar outlet
- Equalize inlet and outlet pressure, if another pressure level need
- Max. Operating Temperature 80°C



## WATER PRESSURE REDUCING VALVE WITH MANOMETER, WITH UNION, FEMALE

Code	D	L	H	A	Inbox Qty
602111006	1/2"	65	68	95	6
602111008	3/4"	65,8	68	95	6

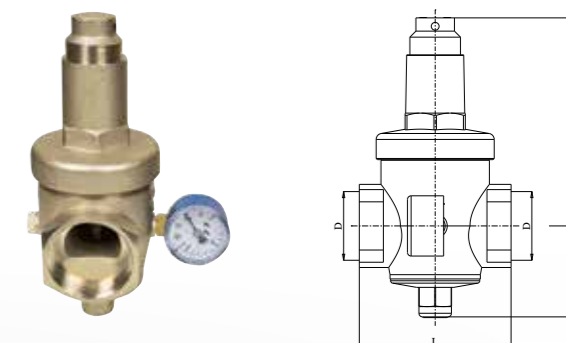
- TS EN 1567
- Operating pressure: 16 bar
- Outlet Make pressure: 1~5 bar
- Factory defaults: 8 bar inlet - 3 bar outlet
- Equalize inlet and outlet pressure, if another pressure level need
- Max. Operating Temperature 80°C



## WATER PRESSURE REDUCING VALVE WITH MANOMETER, WITH UNION, FEMALE x FEMALE

Code	D	L	B	H	Inbox Qty
602111019	2"	126	173	76	1

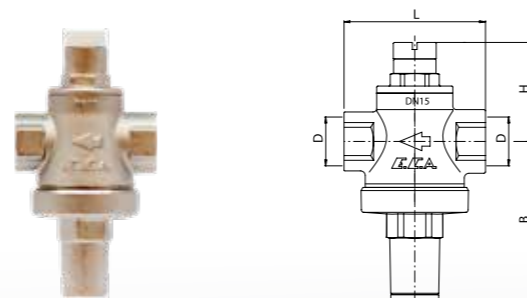
- TS EN 1567
- Operating pressure: 16 bar
- Outlet Make pressure: 1~5 bar
- Factory defaults: 8 bar inlet - 3 bar outlet
- Equalize inlet and outlet pressure, if another pressure level need
- Max. Operating Temperature 80°C



## WATER PRESSURE REDUCING VALVE WITH MANOMETER, WITHOUT UNION, FEMALE x FEMALE

Code	D	L	H	A	Inbox Qty
602111004	1/2"	60	68	48	10
602111009	3/4"	60	68	48	10
602111038	1"	81	97,7	59	8
602111037	1 1/4"	88	97,7	59	4

- TS EN 1567
- Operating pressure: 16 bar
- Outlet Make pressure: 1~5 bar
- Factory defaults: 8 bar inlet - 3 bar outlet
- Equalize inlet and outlet pressure, if another pressure level need
- Max. Operating Temperature 80°C



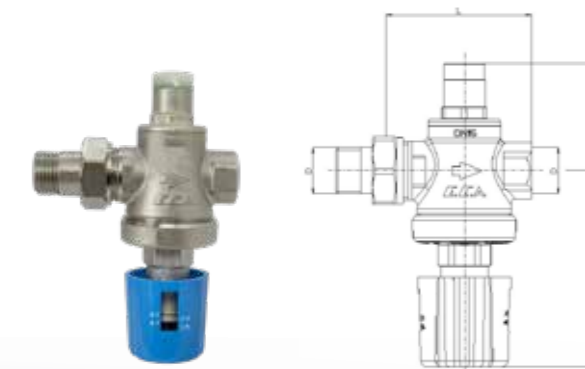
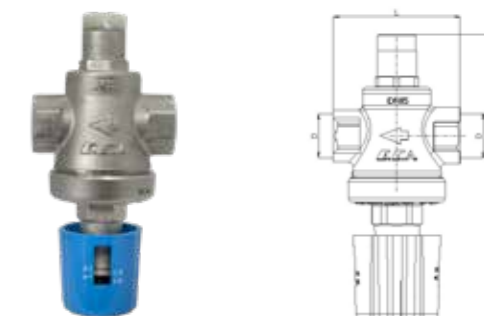
## WATER PRESSURE REDUCING VALVE WITH ADJUSTMENT HANDWHEEL, FEMALE x FEMALE

Code	D	L	H	A	Inbox Qty
602111099	1/2"	60	68	42	10
602111096	3/4"	60	68	42	10

## WATER PRESSURE REDUCING VALVE WITH ADJUSTMENT HANDWHEEL, WITH UNION FEMALE

Code	D	L	H	A	Inbox Qty
602111109	1/2"	60	68	42	10
602111110	3/4"	60	68	42	10

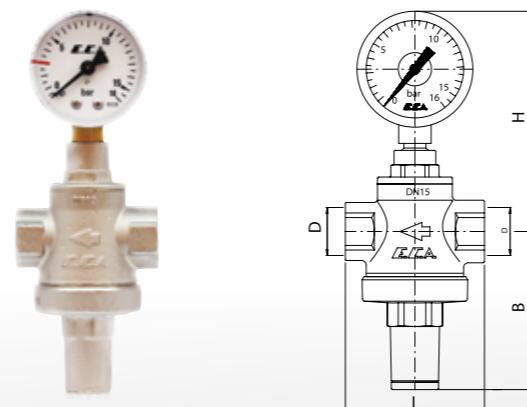
- TS EN 1567
- Operating pressure: 16 bar
- Outlet Make pressure: 1~5 bar
- Factory defaults: 8 bar inlet - 3 bar outlet
- Equalize inlet and outlet pressure, if another pressure level need
- Max. Operating Temperature 80°C



## WATER PRESSURE REDUCING VALVE WITH MANOMETER, WITHOUT UNION, FEMALE x FEMALE

Code	D	L	H	A	Inbox Qty
602111005	1/2"	60	68	95	6
602111010	3/4"	60	68	95	6
602111042	1"	81	97,7	110,7	8
602111041	1 1/4"	88	97,7	110,7	4

- TS EN 1567
- Operating pressure: 16 bar
- Outlet Make pressure: 1~5 bar
- Factory defaults: 8 bar inlet - 3 bar outlet
- Equalize inlet and outlet pressure, if another pressure level need
- Max. Operating Temperature 80°C

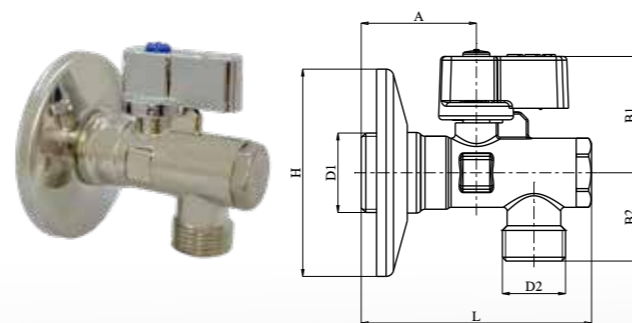


ANGLE BALL VALVE WITH FILTER

Inlet 1/2" x Outlet 3/8"

Code	D1	D2	L	H	A	B1	B2	Inbox Qty
602111048	1/2"	3/8"	60	Ø54	30	30	23	30

- TSEK
- Nickel Plated
- Special Plastic L Handwheel
- Operating Pressure: 10 bar
- Max. Operating Temperature 80°C
- Rosette Included

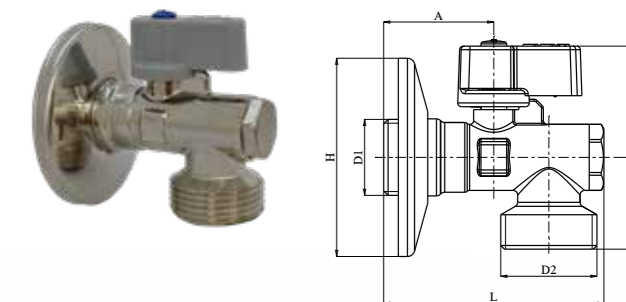


ANGLE BALL VALVE WITH FILTER

Inlet 1/2" x Outlet 3/4"

Code	D1	D2	B1	B2	L	H	A	Inbox Qty
602111059	1/2"	3/4"	30	25	60	Ø54	30	30

- TSEK
- Nickel Plated
- Special Plastic L Chrome Handwheel
- Operating Pressure: 10 bar
- Max. Operating Temperature 80°C
- Rosette Included

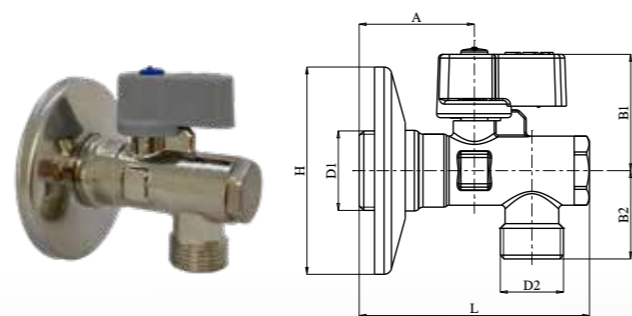


ANGLE BALL VALVE WITH FILTER

Inlet 1/2" x Outlet 3/8"

Code	D1	D2	L	H	A	B1	B2	Inbox Qty
602111043	1/2"	3/8"	60	Ø54	30	30	23	30

- TSEK
- Nickel Plated
- Special Plastic L Handwheel
- Operating Pressure: 10 bar
- Max. Operating Temperature 80°C
- Rosette Included

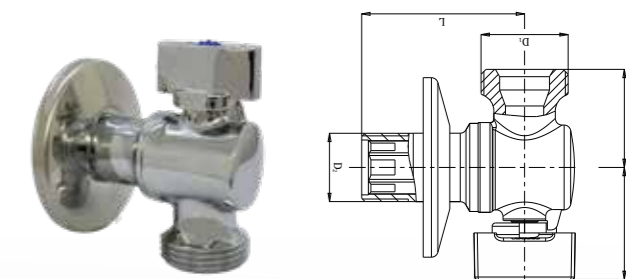


ANGLE BALL VALVE

Inlet 1/2" x Outlet 3/4"

Code	D1	D2	L	B	H	Inbox Qty
102122041	3/4"	1/2"	49	29,5	33,7	25

- TSEK
- Polished Chrome Plated
- Operating Pressure: 10 bar
- Max. Operating Temperature 80°C
- Rosette Included

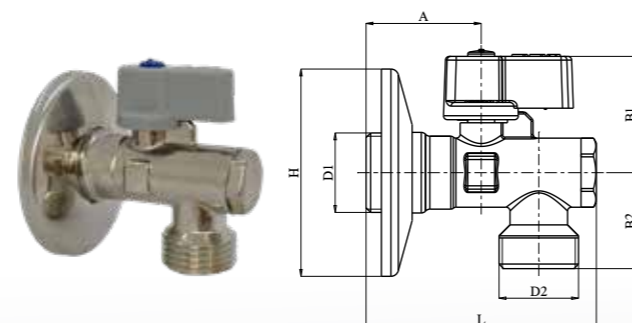


ANGLE BALL VALVE WITH FILTER

Inlet 1/2" x Outlet 1/2"

Code	D1	D2	L	H	A	B1	B2	Inbox Qty
602111052	1/2"	1/2"	60	Ø54	30	30	25	30

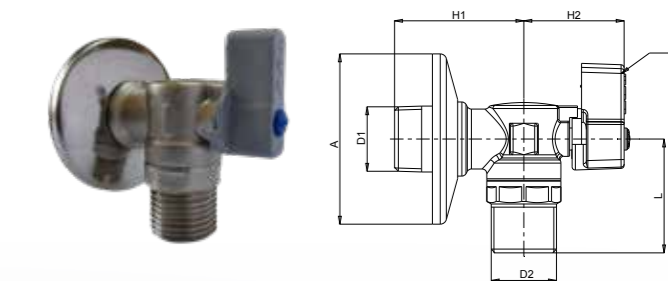
- TSEK
- Nickel Plated
- Special Plastic L Handwheel
- Operating Pressure: 10 bar
- Max. Operating Temperature 80°C
- Rosette Included



ANGLE BALL VALVE

Code	D1	D2	H1	H2	L	A	Inbox Qty
602111066	1/2"	1/2"	41	31,5	36	Ø54	25

- Operating Pressure: 10 bar
- Max. Operating Temperature 80°C
- Rosette Included

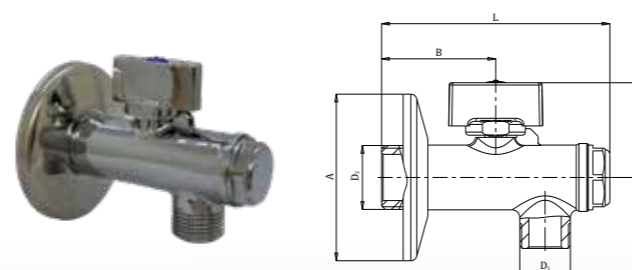


ANGLE BALL VALVE WITH FILTER

Inlet 1/2" x Outlet 3/8"

Code	D1	D2	L	B	H	A	Inbox Qty
102111018	3/8"	1/2"	74	37	30,7	Ø50	30

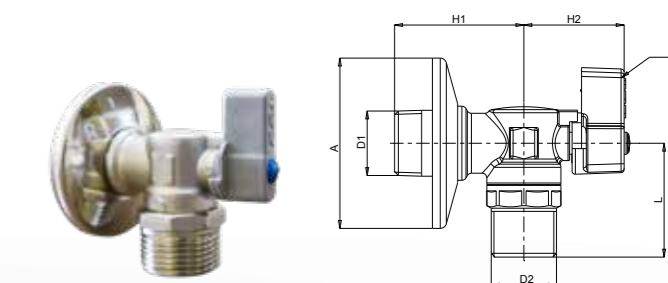
- TSEK
- Polished Chrome Plated
- Operating Pressure: 10 bar
- Max. Operating Temperature 80°C
- Rosette Included



ANGLE BALL VALVE

Code	D1	D2	H1	H2	L	A	Inbox Qty
602111067	1/2"	3/4"	41	31,5	33	Ø54	25

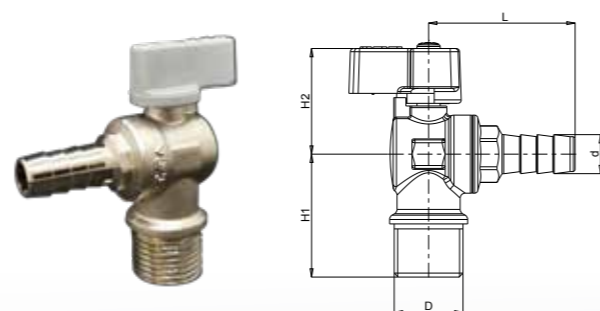
- Operating Pressure: 10 bar
- Max. Operating Temperature 80°C
- Rosette Included



ANGLE BALL VALVE WITH HOSE END

Code	D	d	H1	H2	L	Inbox Qty
602109042	1/2"	Ø11,8	37	32	44	30

- Operating Pressure: 10 bar
- Max. Operating Temperature 80°C

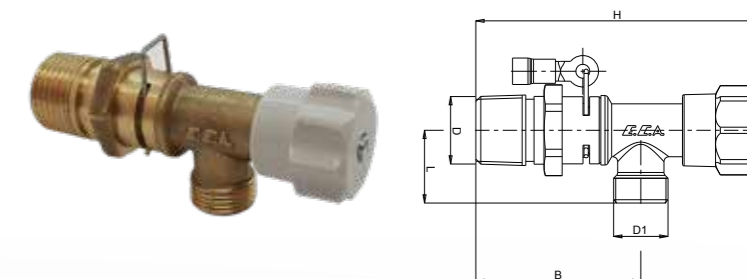


MULTI-TURN ANGLE VALVE, WITH CLIP

For Concealed Cistern

Code	D	D2	L	B	H	Inbox Qty
602109030	1/2"	3/8"	22	50	85.5	80

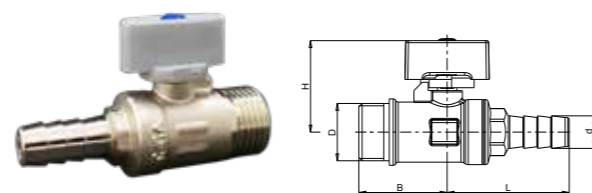
- Clip connection
- Operating Pressure: 10 bar
- Max. Operating Temperature 80°C



MINI BALL VALVE, HOSE END

Code	D	d	H	B	L	Inbox Qty
602109043	1/2"	Ø11,8	33	32	44	30

- Operating Pressure: 10 bar
- Max. Operating Temperature 80°C

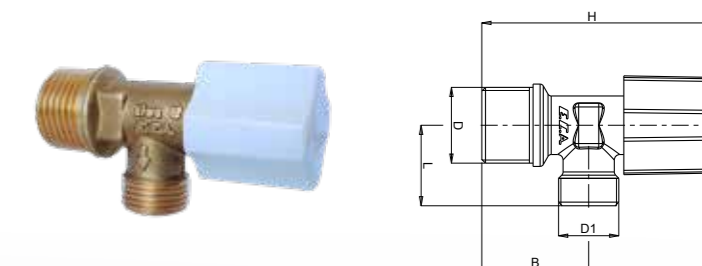


MULTI-TURN ANGLE VALVE

For Concealed Cistern

Code	D	D2	L	B	H	Inbox Qty
602109031	1/2"	3/8"	22	29,2	64,6	125

- Operating Pressure: 10 bar
- Max. Operating Temperature 80°C



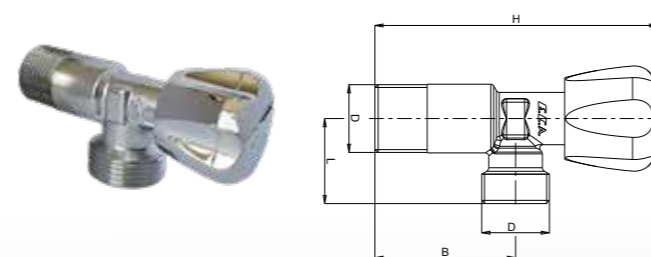
MULTI-TURN ANGLE VALVE

Code	D	A	L	B	H	Inbox Qty
601012036	1/2"x 1/2"	54	26	43	86.5	80

Code	D	A	L	B	H	Inbox Qty
601012040	1/2"x3/4"	54	26	43	86.5	80

Code	D	A	L	B	H	Inbox Qty
601012039	1/2"x3/8"	54	26	43	86.5	80

- Chrome Plated
- Operating Pressure: 10 bar
- Max. Operating Temperature 80°C

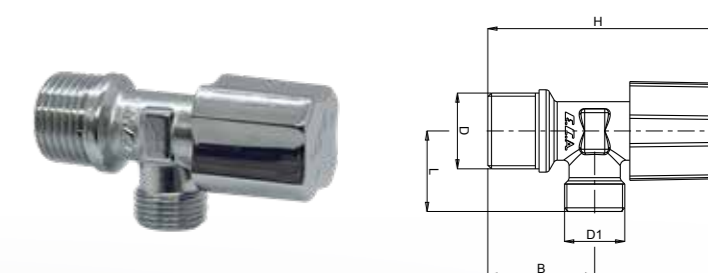


MULTI-TURN ANGLE VALVE - CHROMED

For Concealed Cistern

Code	D	D2	L	B	H	Inbox Qty
601012031	1/2"	3/8"	22	29,2	64,6	125

- Operating Pressure: 10 bar
- Max. Operating Temperature 80°C

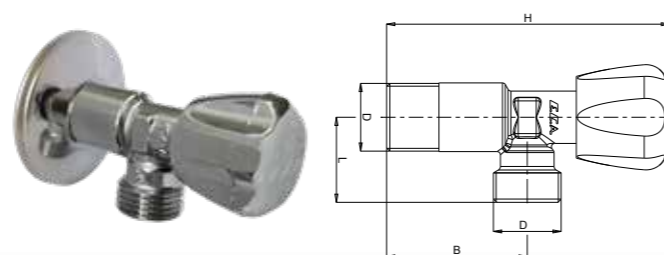


MULTI-TURN ANGLE VALVE

Rosette Included

Code	D	A	L	B	H	Inbox Qty
601012045	1/2"x 1/2"	54	26	43	86.5	30

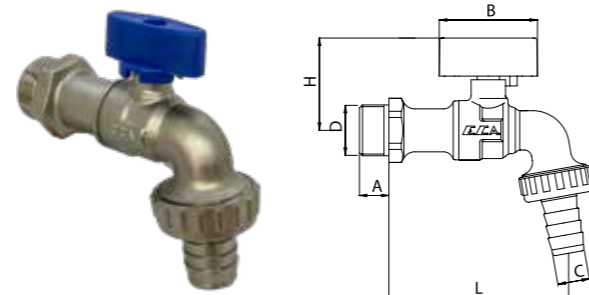
Code	D	A	L	B	H	Inbox Qty
601012038	1/2"x3/4"	54	26	43	86.5	30



## BIBCOCK, BALL TYPE, BUTTERFLY HANDWHEEL

Code	D	L	H1	H	D1	Inbox Qty
102109045	1/2"	73	42	12	59	24
102109046	3/4"	77	43	12	59	15

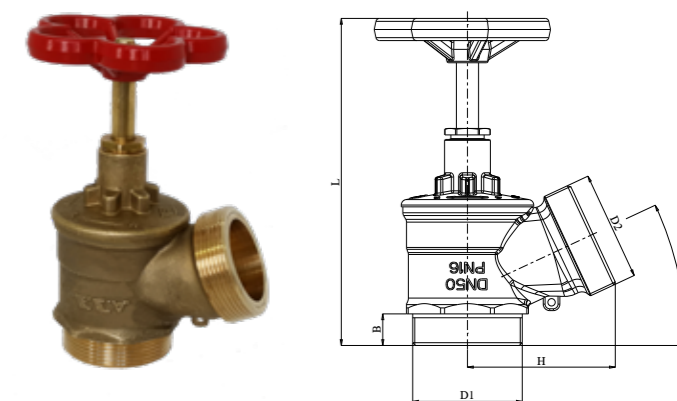
- TSEK
- Nickel Plated
- Special Plastic T Handwheel
- Hose end with union
- Operating Pressure: 10 bar
- Max. Operating Temperature 80°C
- Brass hose end



## FIRE VALVE

Code	D1	D2	H	B	A	L	Inbox Qty
601014002	2"	2"	80	17	25°	155	10

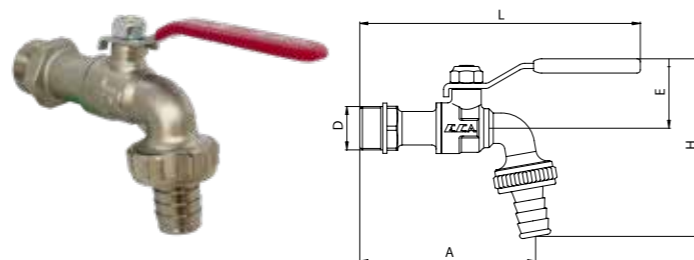
- TS 12259
- Angle Type,
- Stop seal
- PN16
- Out 2" Male thread



## BIBCOCK, BALL TYPE

Code	D	L	A	H	E	Inbox Qty
602109004	1/2"	135,5	85	85,3	35,3	30
602109005	3/4"	140,4	89	88	36	30

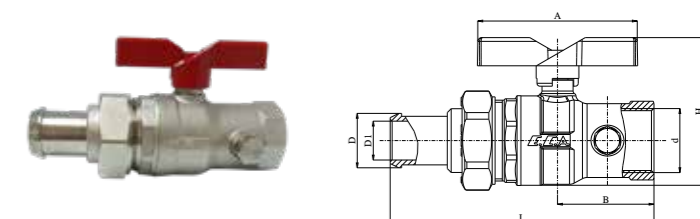
- TSEK
- Nickel Plated
- Handwheel with 90° turn
- Hose end with union
- Operating Pressure: 10 bar
- Max. Operating Temperature 80°C
- Brass hose end



## BALL VALVE WITH HOSE END, WITH MANOMETER CONNECTION

Code	d1	D	D1	d	L	B	H	A	Inbox Qty
602122174	1/8"	Ø28	Ø28	1"	135,8	49,7	76	82	15

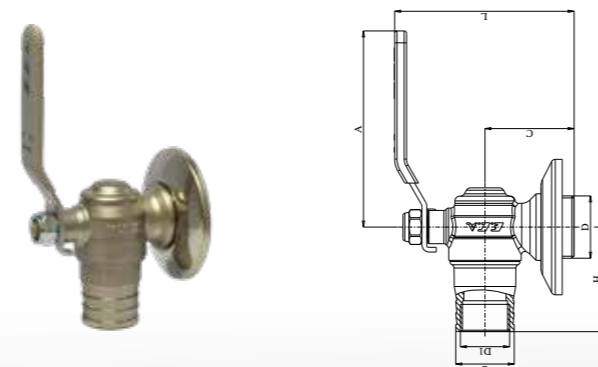
- PN16
- Aluminum T(With Butterfly Handwheel) Handwheel
- Ø25 Hose end connection



## DRAIN BALL VALVE, ANGLE

Code	D	D1	d	L	H	C	A	Inbox Qty
102109120	3/4"	1/2"	24,6	75,5	44	37,5	82,5	40

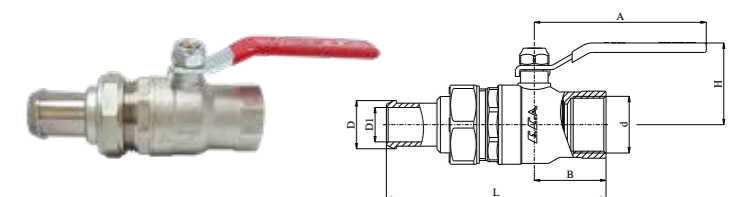
- TSEK
- Nickel Plated
- Handwheel with 90° turn
- Fixed hose end
- Operating Pressure: 10 bar
- Max. Operating Temperature 80°C
- Rosette Included



## BALL VALVE WITH HOSE END

Code	d	D	D1	L	B	H	A	Inbox Qty
602122049	1"	Ø28	Ø20	127,7	41,7	47,5	100	15

- PN16
- Ø25 Hose end connection



## CONNECTION SET

Double Ball Valve, Angle Type+Saddle w/acc

Code	D	Inbox Qty
*601026XXX	DN100 x Ø32 mm	24
*601026XXX	DN150 x Ø32 mm	15
*601026XXX	DN200 x Ø32 mm	24
*602026XXX	DN250 x Ø32 mm	15
*602026XXX	DN300 x Ø32 mm	24
*602026XXX	DN100 x Ø40 mm	15
*602026XXX	DN150 x Ø40 mm	24
*602026XXX	DN200 x Ø40 mm	15
*602026XXX	DN250 x Ø40 mm	24
*602026XXX	DN300 x Ø40 mm	15

\*Please contact for the product code.

- Connection Options 1" x Ø32 mm - 1 1/4" x Ø40 mm
- Standard TSEK
- Pressure 16 bar
- Operating Max Temperature 80°C
- Suitable for Ductile Iron Pipe ✓



## CONNECTION BALL VALVE

Double Ball Valve, Angle Type+Saddle w/acc

Code	D	Inbox Qty
*602122XXX	1" x Ø32 mm	8
*602122XXX	1 1/4" x Ø40 mm	8

- Standard TSEK
- Pressure 16 bar
- Operating Max Temperature 80°C

\*Please contact for the product code.



## CONNECTION SET

Ball Valve, Vertical Type+Saddle w/acc

Code	D	Inbox Qty
*602026XXX	DN100 x Ø32 mm	24
*602026XXX	DN150 x Ø32 mm	15
*602026XXX	DN200 x Ø32 mm	24
*602026XXX	DN250 x Ø32 mm	15
*602026XXX	DN300 x Ø32 mm	24
*602026XXX	DN100 x Ø40 mm	15
*602026XXX	DN150 x Ø40 mm	24
*602026XXX	DN200 x Ø40 mm	15
*602026XXX	DN250 x Ø40 mm	24
*602026XXX	DN300 x Ø40 mm	15

\*Please contact for the product code.

- Connection Options 1" x Ø32 mm - 1 1/4" x Ø40 mm
- Standard TSEK
- Pressure 16 bar
- Operating Max Temperature 80°C
- Suitable for Ductile Iron Pipe ✓



## CONNECTION BALL VALVE

Ball Valve, Vertical Type

Code	D	Inbox Qty
*602122XXX	1" x Ø32 mm	24
*602122XXX	1 1/4" x Ø40 mm	15

- Standard TSEK
- Pressure 16 bar
- Operating Max Temperature 80°C

\*Please contact for the product code.



## CONNECTION SET

Ball Valve, Angle Type+Saddle w/acc

Code	D	Inbox Qty
*602026XXX	DN100 x Ø32 mm	24
*602026XXX	DN150 x Ø32 mm	15
*602026XXX	DN200 x Ø32 mm	24
*602026XXX	DN250 x Ø32 mm	15
*602026XXX	DN300 x Ø32 mm	24
*602026XXX	DN100 x Ø40 mm	15
*602026XXX	DN150 x Ø40 mm	24
*602026XXX	DN200 x Ø40 mm	15
*602026XXX	DN250 x Ø40 mm	24
*602026XXX	DN300 x Ø40 mm	15

\*Please contact for the product code.

- Connection Options 1" x Ø32 mm - 1 1/4" x Ø40 mm
- Standard TSEK
- Pressure 16 bar
- Operating Max Temperature 80°C
- Suitable for Ductile Iron Pipe ✓



## CONNECTION BALL VALVE

Ball Valve, Angle Type

Code	D	Inbox Qty
*602122XXX	1" x Ø32 mm PE	15
*602122XXX	1 1/4" x Ø40 mm PE	15

- Standard TSEK
- Pressure 16 bar
- Operating Max Temperature 80°C

\*Please contact for the product code.











**E.C.A.**<sup>®</sup>

TOGETHER FOR YEARS

[www.eca.com.tr](http://www.eca.com.tr)

**Export Sales**

**ELEKS DIŐ TİCARET A.Ő.**

Esentepe Mah. Kasap Sok. No:15/1 34394

ŐiŐli / İSTANBUL Tel : +90 212 708 48 76

Mobil : +90 530 177 07 54 Fax : +90 212 292 80 36

[www.eleks.com.tr](http://www.eleks.com.tr) [eleks@eleks.com.tr](mailto:eleks@eleks.com.tr)

**Producer**

**VALF SANAYİİ A.Ő.**

Organize Sanayi Bölgesi, KurtuluŐ Cad. No:1

45030 / Manisa / TURKEY Phone: +90 (236) 233 25 60

Fax: +90 (236) 233 25 63

[www.valf.com.tr](http://www.valf.com.tr) [info@valf.com.tr](mailto:info@valf.com.tr)